



C A F É

DISTINCT BY DESIGN

Owner's Manual





DISTINCT BY DESIGN™

Owner's Manual and Installation Instructions

Bottom Freezer Refrigerators

Models CVE, CXE and CQE

Contents

Safety Information	3	Troubleshooting	38
Using the Refrigerator		Normal Operating Conditions	38
Features	6	Troubleshooting Tips	39
Controls	9	Truth or Myth	41
Dispenser	11	Limited Warranty	43
AutoFill	11	Consumer Support	
WiFi	12	XWFE Water Filter Cartridge	
Demand Response	13	Limited Warranty	44
Water Filter	14	Performance Data Sheet	45
Refrigerator Storage	15	Consumer Support	46
Automatic Ice maker	20		
Care And Cleaning	21		
Replacing the Lights	22		
Installation Instructions			
Preparing to Install the Refrigerator	23		
Installing the Refrigerator	26		
Installing the Water Line	36		

Write the model and serial numbers here:

Model # _____

Serial # _____

Find these numbers on a label on the left side, near the middle of the refrigerator compartment.

ENGLISH/FRANÇAIS/ESPAÑOL

THANK YOU FOR MAKING CAFÉ A PART OF YOUR HOME.

We take pride in the craftsmanship, innovation and design that goes into every Café product, and we think you will too. Among other things, registration of your appliance ensures that we can deliver important product information and warranty details when you need them.

Register your Café appliance now online. Helpful websites are available in the Consumer Support section of this Owner's Manual. You may also mail in the pre-printed registration card included in the packing material.

C A F É

DISTINCT BY DESIGN™

IMPORTANT SAFETY INFORMATION

READ ALL INSTRUCTIONS BEFORE USING THE APPLIANCE

▲ WARNING To reduce the risk of fire, explosion, electric shock, or injury when using your refrigerator, follow these basic safety precautions:

- This refrigerator must be properly installed and located in accordance with the Installation Instructions before it is used.
- Unplug the refrigerator before making repairs or cleaning.
NOTE: Power to the refrigerator cannot be disconnected by any setting on the control panel.
NOTE: Repairs must be performed by a qualified Service Professional.
- Replace all parts and panels before operating.
- Do not use an extension cord.
- Keep flammable materials and vapors away from the refrigerator.
- Do not store explosive substances such as aerosol cans with a flammable propellant in this appliance.
- To prevent suffocation and entrapment hazards to children, remove the refrigerator and freezer doors from any refrigerator before disposing of it or discontinuing its use.
- To avoid serious injury or death, children should not stand on, or play in or with the appliance.
- Children and persons with reduced physical, sensory or mental capabilities or lack of experience and knowledge can use this appliance only if they are supervised or have been given instructions on safe use and understand the hazards involved.
- This appliance is intended to be used in household and similar applications such as: staff kitchen areas in shops, offices and other working environments; farm houses; by clients in hotels, motels, bed & breakfast and other residential environments; catering and similar non-retail applications.
- Connect to potable water supply only. A cold water supply is required for automatic icemaker operation. The water pressure must be between 40 and 120 psi (275-827 kilopascals).
- Do not apply harsh cleaners to the refrigerator. Certain cleaners will damage plastic which may cause parts such as the door or door handles to detach unexpectedly. See the Care and Cleaning section in your Owner's Manual for detailed instructions.

▲ CAUTION To reduce the risk of injury when using your refrigerator, follow these basic safety precautions.

- Do not clean glass shelves or covers with warm water when they are cold. Glass shelves and covers may break if exposed to sudden temperature changes or impact, such as bumping or dropping. Tempered glass is designed to shatter into many small pieces if it breaks.
- Keep fingers out of the "pinch point" areas; clearances between the doors and between the doors and cabinet are necessarily small. Be careful closing doors when children are in the area.
- Do not touch the cold surfaces in the freezer compartment when hands are damp or wet, skin may stick to these extremely cold surfaces.
- Do not refreeze frozen foods which have thawed completely.
- In refrigerators with automatic icemakers, avoid contact with the moving parts of the ejector mechanism, or with the heating element that releases the cubes. Do not place fingers or hands on the automatic ice making mechanism while the refrigerator is plugged in.

▲ WARNING FIRE OR EXPLOSION HAZARD

Keep flammable materials and vapors away from refrigerator. Failure to do so can result in fire, explosion, or death.

▲ WARNING TIP OVER HAZARD.

If an anti-tip floor bracket was included with your refrigerator, install it to prevent the refrigerator from tipping forward, which could result in death or serious injury. Read and follow the entire installation instructions for installing the anti-tip floor bracket packed with your refrigerator.

READ AND SAVE THESE INSTRUCTIONS

IMPORTANT SAFETY INFORMATION

READ ALL INSTRUCTIONS BEFORE USING THE APPLIANCE

WARNING **FIRE OR EXPLOSION HAZARD Flammable Refrigerant**

This appliance contains isobutane refrigerant, also known as R600a, a natural gas with high environmental compatibility. However, it is also combustible. Adhere to the warnings below to reduce the risk of injury or property damage.

1. When handling, installing and operating the appliance, care should be taken to avoid damage to the refrigerant tubing.
2. Service shall only be performed by authorized service personnel. Use only manufacturer-authorized service parts.
3. Dispose of refrigerator in accordance with Federal and Local Regulations. Flammable refrigerant and insulation material used require special disposal procedures. Contact your local authorities for the environmentally safe disposal of your refrigerator.
4. Keep ventilation openings in the appliance enclosures or in the built-in structure clear of obstruction.
5. To remove frost, scrape with a plastic or wood spatula or scraper. Do not use an ice pick, metal, or sharp-edged instrument as it may puncture the freezer liner and then the flammable refrigerant tubing behind it.
6. Do not use electrical appliances inside the food storage compartment of the appliance.
7. Do not use any electrical device in defrosting your freezer.

CONNECTING ELECTRICITY

WARNING **ELECTRICAL SHOCK HAZARD**

Plug into a grounded 3-prong outlet

Do not remove the ground prong

Do not use an adapter

Do not use an extension cord.

Failure to follow these instructions can result in death, fire, or electrical shock.

Do not, under any circumstances, cut or remove the third (ground) prong from the power cord. For personal safety, this appliance must be properly grounded.

The power cord of this appliance is equipped with a 3-prong (grounding) plug which mates with a standard 3-prong (grounding) wall outlet to minimize the possibility of electric shock hazard from this appliance.

Have the wall outlet and circuit checked by a qualified electrician to make sure the outlet is properly grounded.

Where a standard 2-prong wall outlet is encountered, it is your personal responsibility and obligation to have it replaced with a properly grounded 3-prong wall outlet. Do not use an adapter.

The refrigerator should always be plugged into its own individual electrical outlet which has a voltage rating that matches the rating plate.

A 115 Volt AC, 60 Hz, 15- or 20-amp fused, grounded electrical supply is required. This provides the best performance and also prevents overloading house wiring circuits which could cause a fire hazard from overheated wires.

Never unplug your refrigerator by pulling on the power cord. Always grip plug firmly and pull straight out from the outlet.

Immediately discontinue use of a damaged supply cord. If the supply cord is damaged, it must be replaced by a qualified service professional with an authorized service part from the manufacturer.

When moving the refrigerator away from the wall, be careful not to roll over or damage the power cord.

READ AND SAVE THESE INSTRUCTIONS

IMPORTANT SAFETY INFORMATION

READ ALL INSTRUCTIONS BEFORE USING THE APPLIANCE

PROPER DISPOSAL OF YOUR OLD REFRIGERATOR

▲ DANGER SUFFOCATION AND ENTRAPMENT HAZARD

Failure to follow these disposal instructions can result in death or serious injury

IMPORTANT: Child entrapment and suffocation are not problems of the past. Junked or abandoned refrigerators are still dangerous even if they will sit for “just a few days.” If you are getting rid of your old refrigerator, please follow the instructions below to help prevent accidents.

Before You Throw Away Your Old Appliance

- Take off the refrigerator and freezer doors.
- Leave the shelves in place so that children may not easily climb inside.

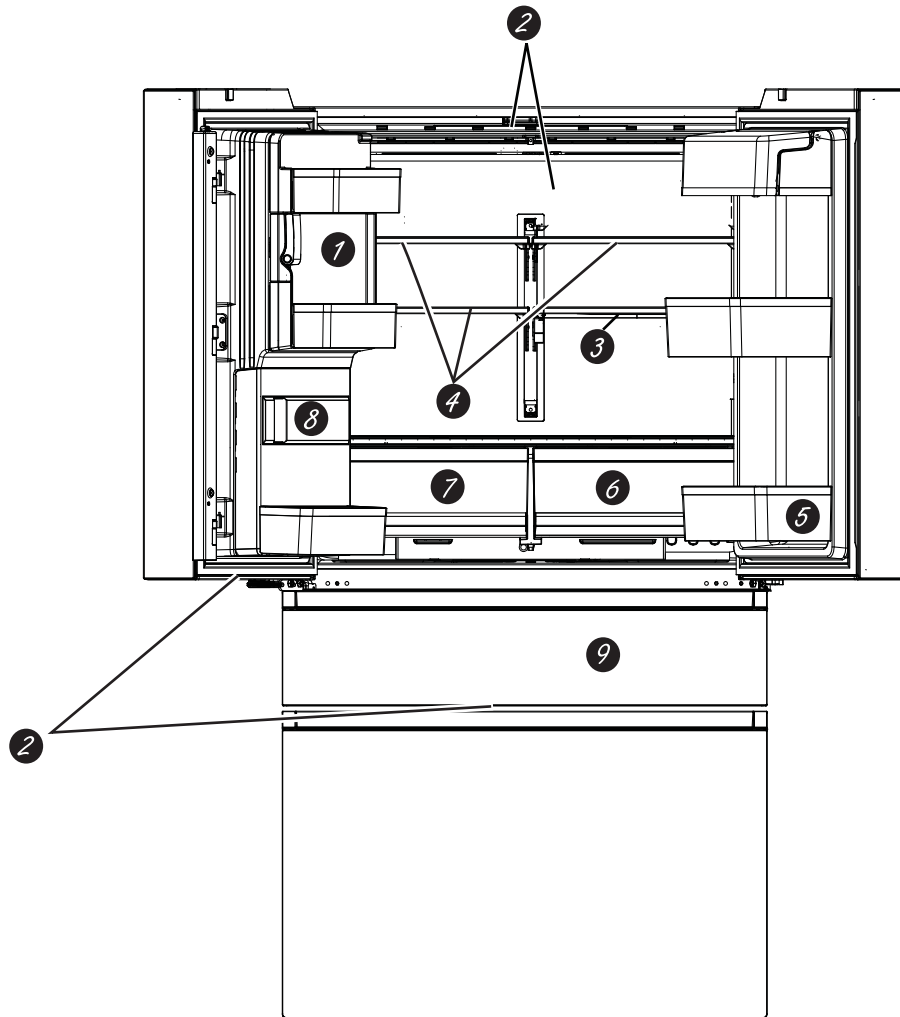
Refrigerant and Foam Disposal:

Dispose of appliance in accordance with Federal and Local Regulations. Flammable refrigerant and insulation material used requires special disposal procedures. Contact your local authorities for the environmentally safe disposal of your refrigerator.

READ AND SAVE THESE INSTRUCTIONS

Features

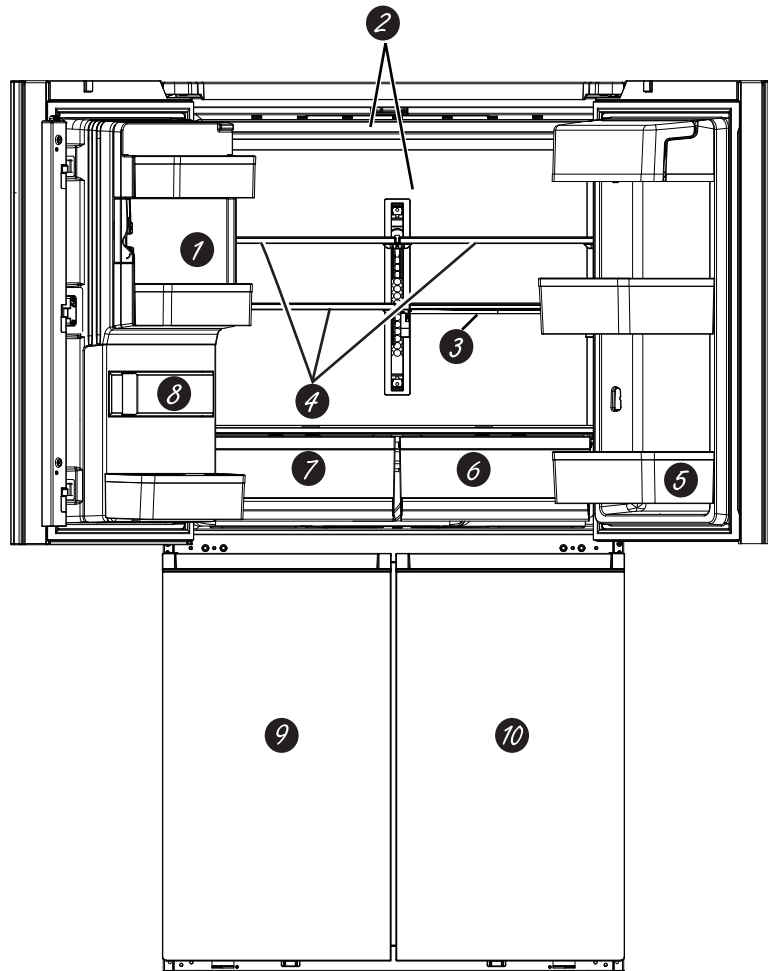
Model CVE and CXE



- 1 Space-saving ice maker**
Ice maker and bin are located on the door creating more usable storage space.
- 2 Showcase LED lighting**
LED lighting is positioned throughout the interior to spotlight areas in the refrigerator. LEDs are located under the fresh food door to light the convertible drawer, and LEDs are under the convertible drawer to light the freezer drawer.
- 3 QuickSpace™ shelf**
Functions as a normal full-sized shelf when needed and easily slides back to store tall items below.
- 4 Spillproof shelves**
Designed to capture your spills for easier clean up.
- 5 Removable door bin**
Can be removed for those with a wall limiting the door opening.
- 6 HCS (Humidity Control System)**
Sealed HCS bin prolongs produce preservation by maintaining humidity in the bin.
- 7 Vented Bin**
Vented bin for storing fruits and vegetables.
- 8 Water filter**
Filters water and ice.
- 9 Convertible drawer**
Select the best temperature to store your food.

Features

Model CQE



1 Space-saving ice maker

Ice maker and bin are located on the door creating more usable storage space.

2 Showcase LED lighting

LED lighting is positioned throughout the interior to spotlight areas in the refrigerator.

3 QuickSpace™ shelf

Functions as a normal full-sized shelf when needed and easily slides back to store tall items below.

4 Spillproof shelves

Designed to capture your spills for easier clean up.

5 Removable door bin

Can be removed for those with a wall limiting the door opening.

6 HCS (Humidity Control System)

Sealed HCS bin prolongs produce preservation by maintaining humidity in the bin.

7 Vented Bin

Vented bin for storing fruits and vegetables.

8 Water filter

Filters water and ice.

9 Freezer

Compartment for storing your frozen food. The middle and bottom door bins tilt-out for easy access.

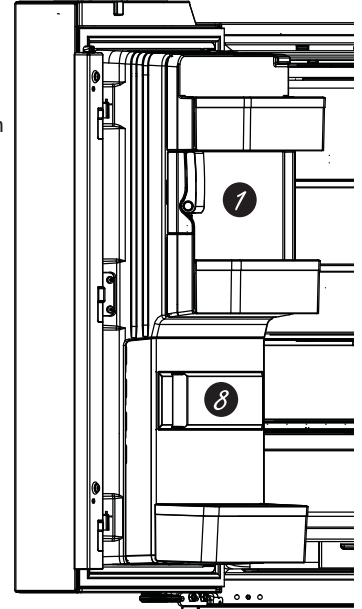
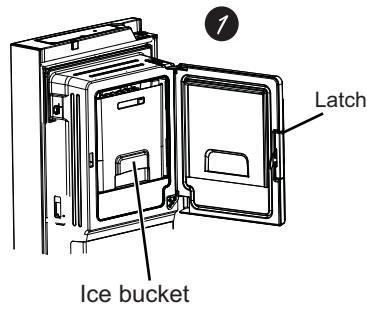
10 Convertible Zone

Compartment that can store frozen food, fresh food, or wine.

Features

Door ice bin

1. Open left refrigerator door.
2. Pull down latch to release bin door.
3. Using handhold lift ice bucket up and out to clear locators in bottom of bin.
4. To replace the ice bucket, set it on the guide brackets and push until the ice bucket seats properly.
5. If bucket cannot be replaced, rotate the Ice Bucket Fork 1/4 turn clockwise.

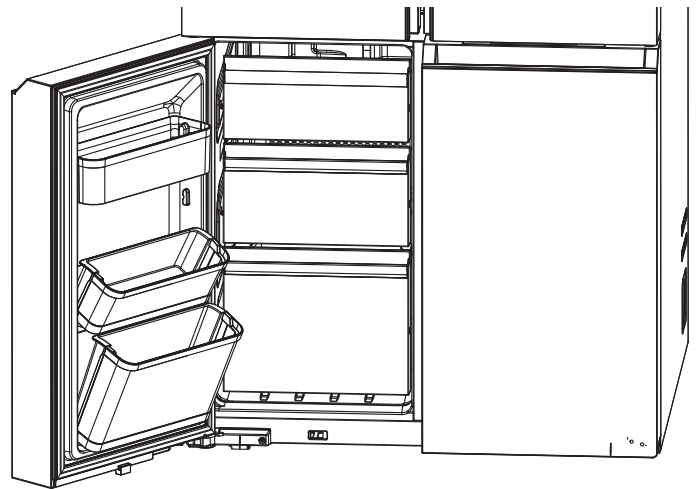


Ice/water filter

Certified to reduce chlorine-resistant cysts, lead, select pharmaceuticals, and more. For easy filter replacement instructions see page 10.

Freezer door bin

Middle and bottom bins on the freezer door can be tilted out for easy access.

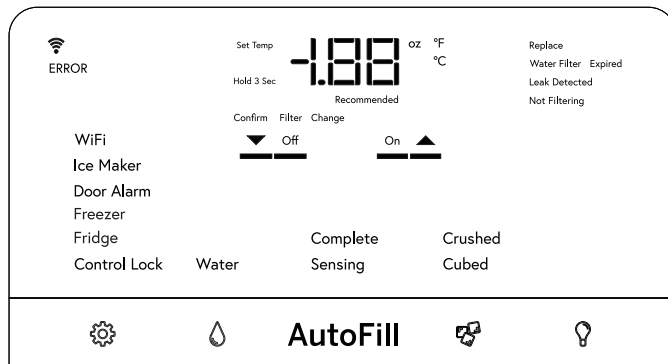


Controls

All Models

We are continuously updating our software. Please reference the full owner's manual online for the latest functionality at cafeappliances.com. In Canada, visit cafeappliances.ca.

The recommended temperature settings, preset from the factory, are 37°F (3°C) for the refrigerator and 0°F (-18°C) for the freezer.



NOTE: The refrigerator is shipped with protective film covering the temperature controls. If this film was not removed during installation, remove it now.

The temperature controls are preset in the factory at 37°F (3°C) for the refrigerator compartment and 0°F (-18°C) for the freezer compartment. Allow 24 hours for the temperature to stabilize to the preset recommended settings.

To Change the Refrigerator Temperature:

Press the **Settings** button (⚙️) until “Fridge” is highlighted. Press the Up or Down arrow buttons to increase or decrease temperature settings.

To Change the Freezer Temperature:

Press the Settings button (⚙️) until “Freezer” is highlighted. Press the Up or Down arrow buttons to increase or decrease temperature settings.

The cooling system can be turned off by pressing the Settings button (⚙️) until either “Fridge” or “Freezer” is highlighted. Press and hold both the Up and Down arrow buttons for 3 seconds. “- -” will be displayed when the system is off. Turning the cooling system off stops the cooling to the refrigerator, but it does not shut off the electrical power. The cooling system can be turned on by returning to the “Fridge” or “Freezer” setting and pressing the On button.

Control Settings

Settings (⚙️) - Press the Settings symbol (⚙️) to scroll through the refrigerator functions.

- Control Lock - Press ON to lock out ice and water dispenser and all feature and temperature buttons. Press and hold OFF for 3 seconds to deactivate.
- Fridge - Press Up or Down button to increase or decrease temperature from 34°F (1°C) to 42°F (6°C).

- Freezer - Press Up or Down button to increase or decrease temperature from -6°F (-21°C) to 5°F (-15°C).
- Door Alarm - Sounds an alert when the freezer or refrigerator doors have been left open. Snooze the alert by pressing any key. Press On or Off to activate or deactivate Door Alarm while an alert is not active.
- Icemaker - Press On or Off to start/stop Icemaker.
- WiFi - Press **On** to start the WiFi connection process per the instructions on Page 13. Press **Off** to disable WiFi. Note that restarting WiFi requires repeating the WiFi connection process.

Water (💧) - Press to select Ice or Water to dispense when the paddle is pressed.

AutoFill - Press to initiate automatic sensing to fill from dispenser.

Ice (🧊) - Press to select crushed or cubed ice when the paddle is pressed.

Light (💡) - Press to illuminate dispenser. Chime will accompany each press.

Fahrenheit / Celsius:

Temperature display can be switched between Fahrenheit and Celsius. Press Settings button (⚙️) to navigate to “Fridge” or “Freezer”, then press and hold the Ice button and Light button for three seconds.

Volume Control:

Alert volume can be adjusted from High to Low and Off. Press Settings button (⚙️) to navigate to “Icemaker”, then press and hold the Ice button and Light button for three seconds.

Sabbath Mode:

Simultaneously hold the Settings (⚙️), Water, and Light buttons for three seconds to enter and exit Sabbath mode. Display will show “SA” and mode will automatically exit after 3 days.

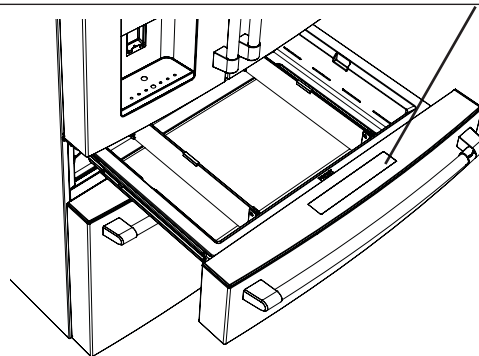
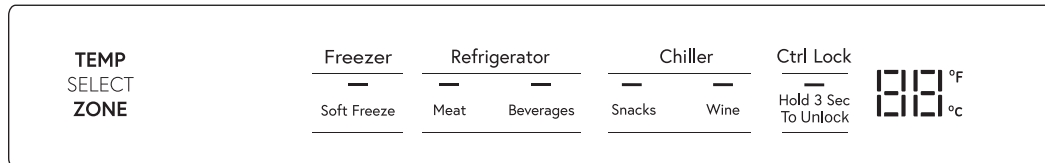
Controls

Model CVE and CXE Convertible Drawer

Temperature in the Convertible Drawer is selected by pressing the food item to be kept in the drawer.

Soft Freeze	23°F (-5°C)
Meat	29°F (-2°C)
Beverages	33°F (1°C)
Snacks	37°F (3°C)
Wine	42°F (6°C)

The temperature setting is locked by default. Button must be pressed for 3 seconds to unlock.



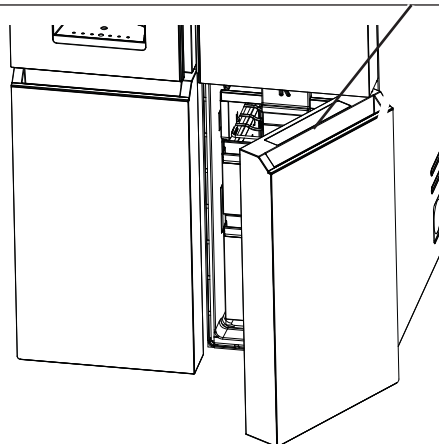
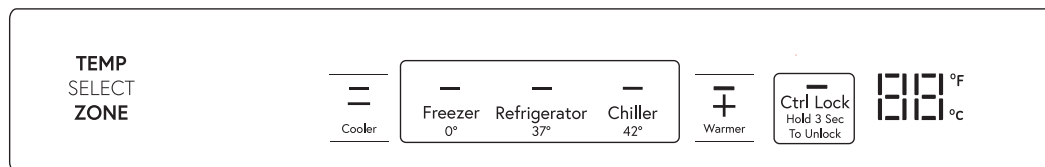
Model CQE Convertible Zone

The Convertible Zone control panel is in the top of the lower right-hand door. Select the desired temperature for the compartment.

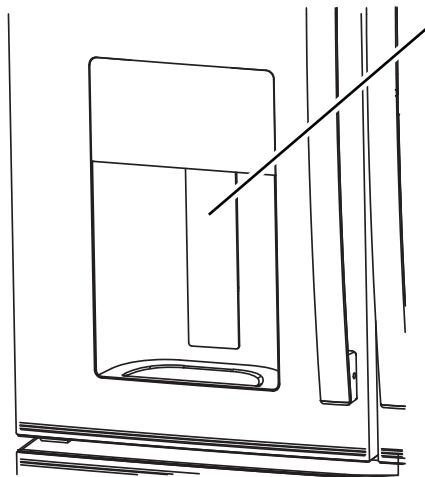
Freezer	0°F (-18°C)
Refrigerator	37°F (3°C)
Chiller	42°F (6°C)

The temperature setting is locked by default. Button must be pressed for 3 seconds to unlock.

The Warmer (+) and Cooler (-) buttons can be used to adjust the temperature of each setting.



Dispenser



Water & Ice Dispenser
(See About the controls with temperature settings & About the control features)

⚠ WARNING Laceration Hazard

- Never put fingers or any other object into ice crusher discharge opening. Doing so can result in contacting the ice crushing blades and lead to serious injury or amputation
- Use a sturdy glass when dispensing ice. A delicate glass may break and result in personal injury.

If no water is dispensed when the refrigerator is first installed, there may be air in the water line system. Press the dispenser paddle for at least five minutes to remove trapped air from the water line and to fill the water system. To flush out impurities in the water line, throw away the first six full glasses of water.

Important Facts About Your Dispenser

- Do not add ice from trays or bags to the door icemaker bucket. It may not crush or dispense.
- Avoid overfilling glass with ice and use of narrow glasses. Backed-up ice can jam the chute or cause the door in the chute to freeze shut. If ice is blocking the chute remove the ice bucket, poke it through with a wooden spoon.
- Beverages and foods should not be quick-chilled in the door icemaker bin. Cans, bottles or food packages in the storage drawer may cause the icemaker or auger to jam.
- To keep dispensed ice from missing the glass, put the glass close to, but not touching, the dispenser opening.
- Some crushed ice may be dispensed even though you selected **CUBED**. This happens occasionally when a few cubes accidentally get directed to the crusher.
- After crushed ice is dispensed, some water may drip from the chute.
- Sometimes a small mound of snow will form on the door in the ice chute. This condition is normal and usually occurs when you have dispensed crushed ice repeatedly. The snow will eventually evaporate.

AutoFill

To Use HANDS FREE AutoFill:

- Center container on Recess Dispenser Tray as far back as possible without activating paddle and remove hand from container
- Press **AutoFill**.

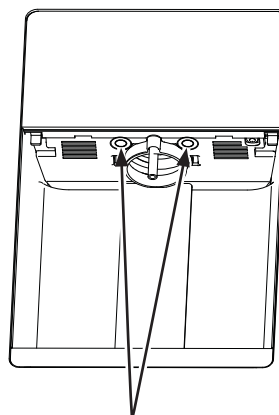
To Stop AutoFill

- Press ANY key, including **AutoFill**, to stop.

Important Facts about AutoFill

- For optimum results, use a uniform container between 4-8" (10-20 cm) tall and 2-6" (5-15 cm) wide.
- Fill level and functionality may vary on containers taller than 8" (20 cm) or wider than 6" (15 cm).
- Container volumes may vary. If "ERROR" message is given, try a different container.
- AutoFill will time out.
- Handles, straws, and garnishes on the rim of the container may cause overflowing or variation in fill volumes.
- Splashing may occur depending on the location of the container, water flow rate, container shape, and ice cubes.

- Keep sensors clean with a clean damp cloth, and do not spray liquid or cleaners directly on sensors
- AutoFill works best with household water pressure of 60 to 100 psi (414 to 689 kPa).
- Ice in container may affect fill volume. If issues are experienced, use less ice.



AutoFill Sensors

WiFi (for customers in the United States, its territories, and Canada)

If your refrigerator has a **Connected Appliance Information** label, then it can be connected to your WiFi network, allowing it to communicate with your mobile device for remote monitoring, control and notifications.

Please visit GEAppliances.com/connect to learn more about connected appliance features and learn what connected appliance apps work with your mobile device.

SOFTWARE UPDATES

One of the features of the SmarHq™ is the ability to accept refrigerator software updates. When the user accepts the updates, refrigerator lights will appear to turn off, and all features are not be available during the update. This is normal behavior during software updates. Users are encouraged to check the refrigerator settings after an software update.

REGULATORY INFORMATION

FCC/IC Compliance Statement:

This device complies with Part 15 of the FCC Rules. Operation is subject to the following two conditions:

1. This device may not cause harmful interference, and
2. This device must accept any interference received, including interference that may cause undesired operation.

This equipment has been tested and found to comply with the limits for a Class B digital device, pursuant to Part 15 of the FCC Rules. These limits are designed to provide reasonable protection against harmful interference in a residential installation. This equipment generates uses and can radiate radio frequency energy and, if not installed and used in accordance with the instructions, may cause harmful interference to radio communications. However, there is no guarantee that interference will not occur in a particular installation. If this equipment does cause harmful interference to radio or television reception, which can be determined by turning the equipment off and on, the user is encouraged to try to correct the interference by one or more of the following measures:

- Reorient or relocate the receiving antenna.
- Increase the separation between the equipment and receiver.
- Connect the equipment into an outlet on a circuit different from that to which the receiver is connected.
- Consult the dealer or an experienced radio/television technician for help.

Labelling: Changes or modifications to this unit not expressly approved by the manufacturer could void the user's authority to operate the equipment.

Demand Response (some models)

This Product has WiFi capability and requires Internet connectivity and a wireless router to enable interconnection with an Energy Management System, and/or with other external devices, systems or applications.

What is Demand Response?

Some utilities vary their electricity rates based on the time of day. Some utilities offer Demand Response programs to reduce energy usage during certain times of the day. Some utilities may do both things. This refrigerator has a Demand Response feature to help control energy usage.

Using Demand Response without a Utility Program

The Demand Response feature allows the user to shift high energy features, like defrost, for a 4-hour window. This window corresponds to the average peak energy usage. This feature is enabled or disabled with the SmartHQ™ and requires the SmartHQ™ to operate. It does not depend on the local utility, or whether it varies the electricity rates.

Demand Response with your Utility

If your utility has a compatible Demand Response program, and you are signed up with the utility, this refrigerator can modify its energy usage based on commands received from the utility. The SmartHQ™ can be used to override the Demand Response program, if desired. Please note that there are many different Demand Response programs, and many are not compatible with kitchen appliances. Please check with your local utility.

The demand response level is displayed in the mobile app. Delay appliance load mode (DAL) reduces power consumption by delaying defrost and ice production for 4 hours. Temporary appliance load reduction (TALR) reduces the power consumption by delaying defrost, ice production, and stopping cooling for 10 minutes.

Estimated energy consumption in Watt-hour(Wh) is reported in the mobile app.

Installing Demand Response

Install the SmartHQ™ per the instructions on the previous page. Select the Demand Response page, and choose from the available Demand Response options. The app provides more information on the operation of each Demand Response option.

Demand Response Communication Protocols

This refrigerator uses the following IETF open standard protocols for the WiFi communication. Consult the online user manual for the latest protocol updates:

- <https://mqtt.org/mqtt-specification/>
- <http://docs.oasis-open.org/mqtt/mqtt/v3.1.1/os/mqtt-v3.1.1-os.html>

GEA API for demand response:

- Write demand respond status (Inactive, DAL, and TALR)
- Get demand response status (Inactive, DAL, TALR, or Delay Defrost)
- Get estimated energy consumption in Watt-hour.
- Get event for "Door Open"
- Get event for "High temperature alert"
- Write demand response (DAL or TALR) start time and duration time period.
- Get demand response (DAL or TALR) start time and duration time period.
- Delete demand response (DAL or TALR) schedule.

XWFE Water Filter

Water Filter Cartridge

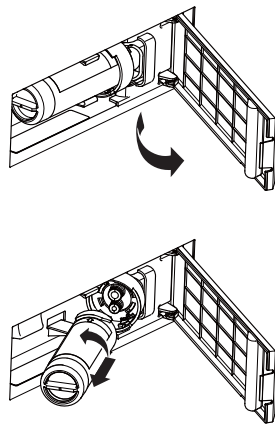
The water filter cartridge is located in the left-hand refrigerator door behind the rectangular access panel.

When to Replace the Filter Cartridge

The **Replace Water Filter** message on the control panel will illuminate when the water filter cartridge needs to be replaced soon. The **Water Filter Expired** message will illuminate when the water filter cartridge needs to be replaced. The water filter can be replaced earlier if the flow of water to the dispenser or icemaker decreases. Once either message is illuminated, dispensing water will show **Confirm Filter Change**; do not confirm until the water filter is replaced

REMOVING THE FILTER

If you are replacing the filter, first remove the previous one by gently grasping the filter and slowly turning it to the left, about a ¼ turn. The filter should automatically release itself when you have rotated it far enough to the left. A small amount of water may drip down.



CAUTION

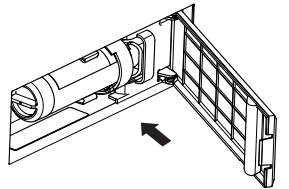
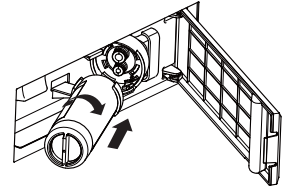
If air has been trapped in the system, the filter cartridge may be ejected as it is removed. Use caution when removing.

FILTER BYPASS PLUG

To reduce the risk of property damage due to water leakage, you **MUST** use the filter bypass plug when a replacement filter cartridge is not available. Some models do not come equipped with the filter bypass plug. To obtain a free bypass plug, call 800.692.6630 and request WR17X33825 filter bypass plug. In Canada, call 800.561.3344. The dispenser and icemaker will not operate without either the filter or bypass plug installed. The bypass plug is installed in the same way as a filter cartridge.

INSTALLING THE FILTER IN A BOTTOM FREEZER REFRIGERATOR

1. Open the filter cartridge housing by pulling the door open.
2. Line up the ports on the filter with the ports on the filter cartridge holder, and gently insert the filter.
3. Slowly turn the filter to the right until it stops. **DO NOT OVERTIGHTEN**. As you turn the filter, it will automatically adjust itself into position. The filter will move about a ¼ turn or 90 degrees, until the filter cannot be turned, and the label faces outward.
4. Slowly push the filter up into the clips.
5. Close the filter cartridge housing by gently pushing the door closed until the tabs lock into place.
6. Run water from the dispenser for 2 gallons or approximately 5 minutes to clear the system. Water may spurt out and air bubbles may be visible during this process. If water is not flowing, check to make sure the filter has been fully rotated to the right.
7. When dispensing water, press the button underneath the **Confirm Filter Change** message. If replacing the water filter before the message appeared, press the Settings (⚙️) button until "Icemaker" is highlighted, then hold down the Water and Ice buttons simultaneously for 3 seconds.



Application Guidelines/Water Supply

Service Flow	0.5 gpm (1.89 lpm)
Water Supply	Potable Water
Water Pressure	25-120 psi (172-827 kPa)
Water Temperature	33°F-100°F (0.6°C-38°C)
Capacity	170 gallons (643.5 liters)

Sign-up for **TEXT REMINDERS** by texting **REPLACE** to 70543.

WARNING

To reduce the risk associated with choking, do not allow children under 3 years of age to have access to small parts during the installation of this product. The disposable filter cartridge should be replaced every 6 months at the rated capacity, or sooner if a noticeable reduction in flow rate occurs.

For the maximum benefit of your filtration system, Café Appliances recommends the use of GE Appliances-branded filters only. Using GE Appliances-branded filters in Café refrigerators provides optimal performance and reliability. GE Appliances filters meet rigorous industry NSF standards for safety and quality that are important for products that are filtering your water. Café Appliances has not qualified non-GE Appliances-branded filters for use in Café refrigerators and there is no assurance that non-GE Appliances-branded filters meet Café standards for quality, performance and reliability.

If you have questions, or to order additional filter cartridges, visit our website at gewaterfilters.com. Customers in Canada should consult the yellow pages for the nearest Camco Service Center.

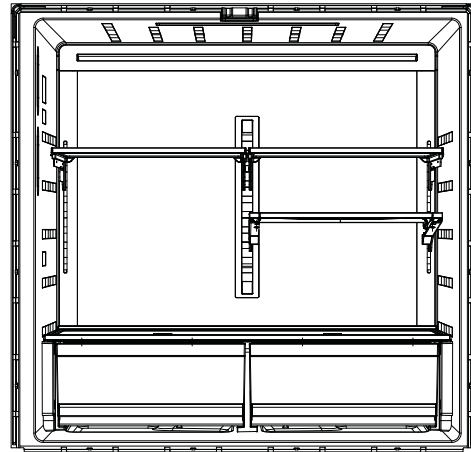
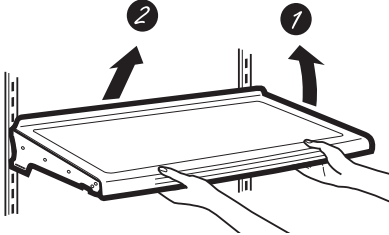
Refrigerator Storage Options

Rearranging the Shelves

Shelves in the refrigerator compartment are adjustable.

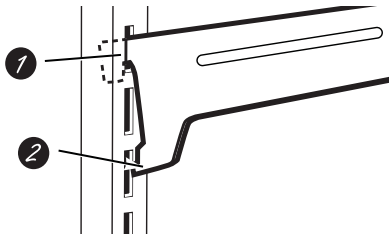
To remove:

- 1 Remove all items from the shelf.
- 2 Tilt the shelf up at the front.
- 3 Lift the shelf up at the back and bring the shelf out.



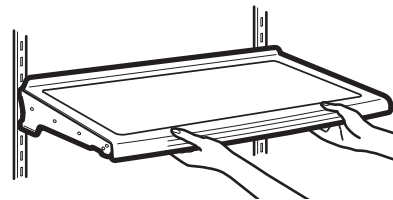
To replace:

- 1 While tilting the shelf up, insert the top hook at the back of the shelf in a slot on the track.
- 2 Lower the front of the shelf until the bottom of the shelf locks into place.



Spillproof Shelves

Spillproof shelves have special edges to help prevent spills from dripping to lower shelves.

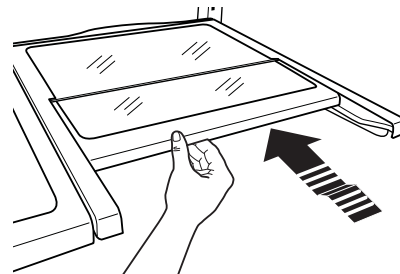


Quick Space Shelf

This shelf splits in half and slides under itself for storage of tall items on the shelf below.

This shelf can be removed and replaced or relocated (just like spillproof shelves).

NOTE: The back half of the Quick Space Shelf is not adjustable.

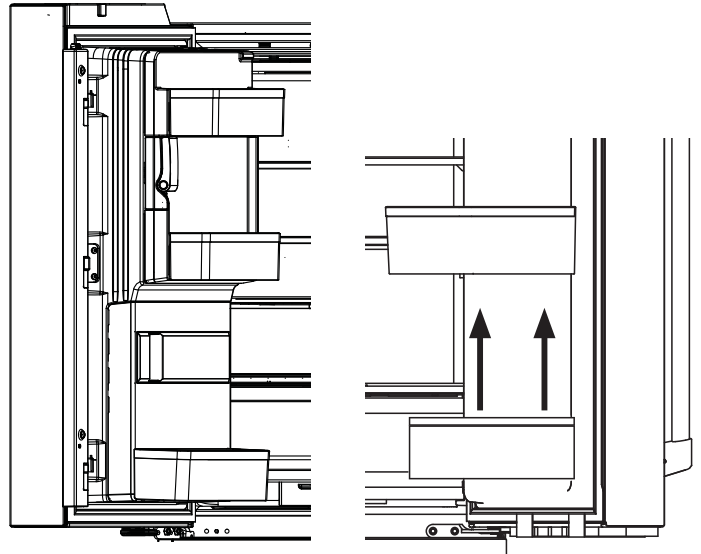


Refrigerator Storage Options

Door Bins

Fixed bins can easily be carried from refrigerator to work area.

To remove: Lift bin straight up, then pull out. The door bins are not interchangeable, note the location upon removal and replace the bin in its proper location.

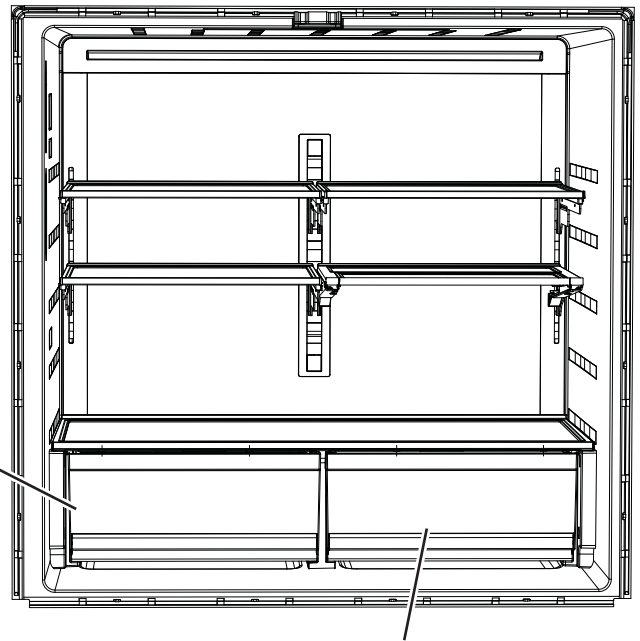


Sealed and Vented Pans

Keep fruits and vegetables organized in separate compartments for easy access.

Excess water that may accumulate in the bottom of the drawers or under the drawers should be wiped dry.

Vented pan for storing fruits and vegetables



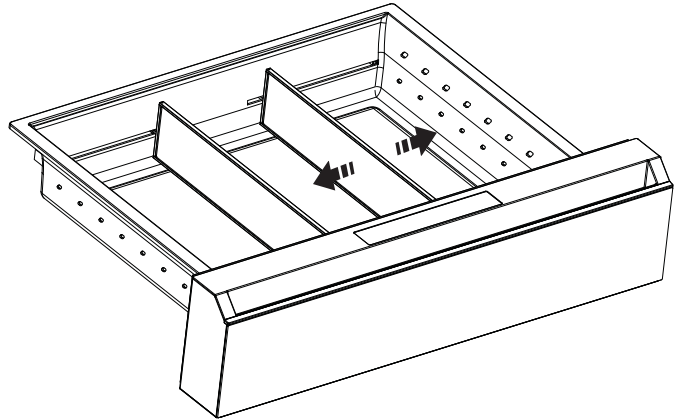
Sealed pan with Humidity Control System prolongs leafy green vegetable preservation by maintaining humidity in the pan.

Refrigerator Storage Options

CONVERTIBLE DRAWER - Model CVE and CXE Only

How To Adjust Drawer Dividers

Grasp divider at the top and slide to the left or right.



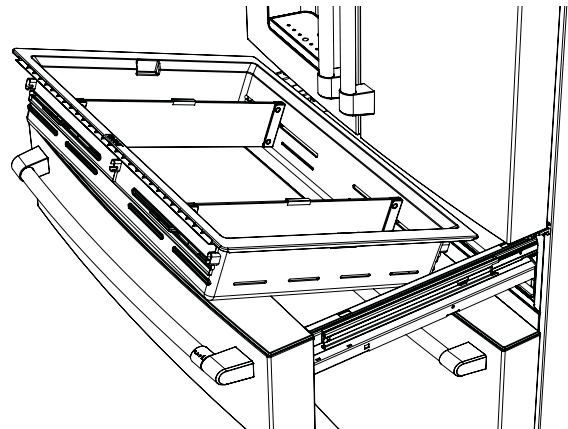
How to Remove and Replace Drawer

To remove:

1. Pull the drawer out to the stop position.
2. Remove the convertible drawer basket by lifting while rotating the basket upward

To replace:

1. Place drawer back in first and rotate drawer front down to seat on slide.
2. Push the drawer in to closed position.
Convertible drawer basket will be loose if re-installed backwards. Look for "FRONT" emboss to help with re-installation.

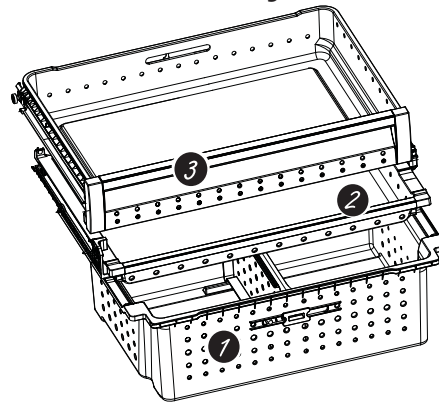


Refrigerator Storage Options

BASKETS, DRAWERS, AND BINS - Model CVE and CXE Only

Freezer Basket and Drawer

- ⑦ Basket.
- ② Pizza tray
- ③ Drawer



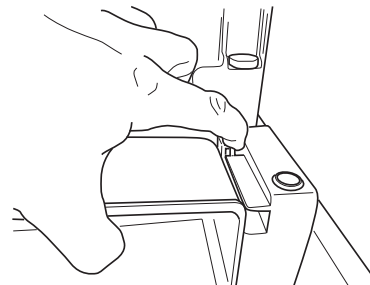
Tilt-Out Bin in the Freezer

To remove:

Press the tab on the right side bracket to remove the freezer drawer bin.

To replace:

Slide bin into location until it locks into place.



Basket Removal

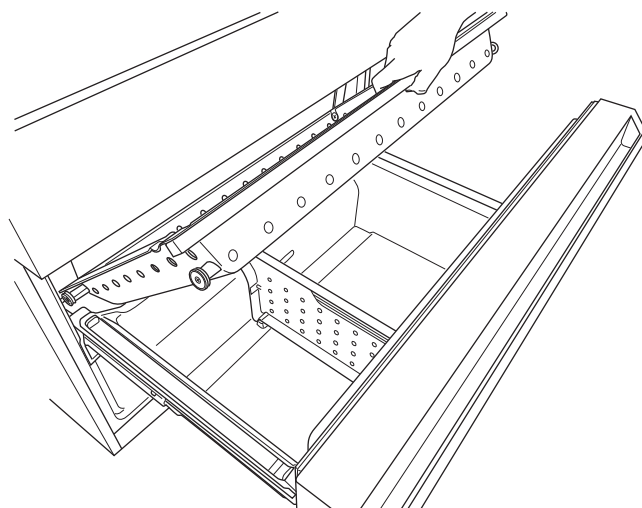
To remove:

1. Pull the top freezer drawer basket forward until it is out of the track in the freezer compartment. Lift while rotating the basket upward to remove.
2. Pull the pizza tray all the way out and lift up until the pizza tray is free to remove.
3. Press the tab on the right side bracket to remove the freezer door bin.
4. Lift the bottom freezer drawer basket slightly back, then up and out of the drawer.

To replace:

1. Place drawer back in first and rotate drawer front down to seat on slide.

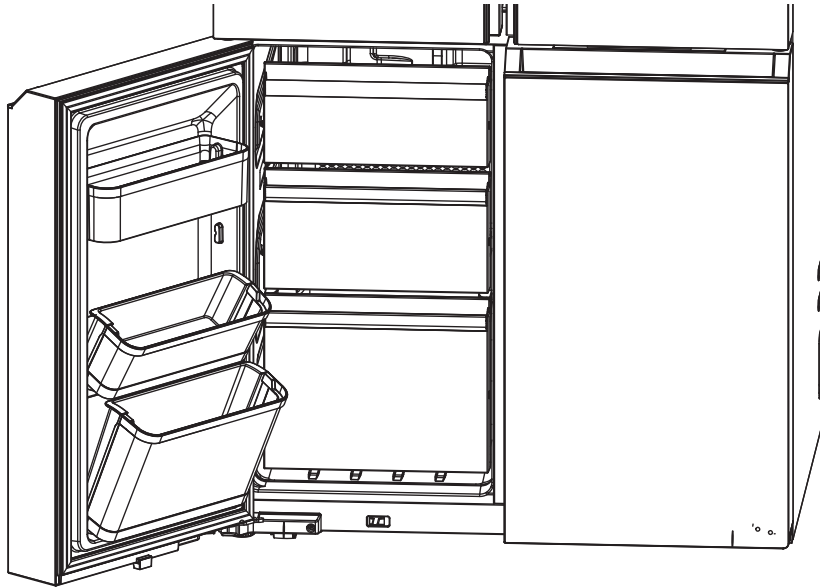
Bottom freezer drawer basket must be in place before installing the pizza drawer.



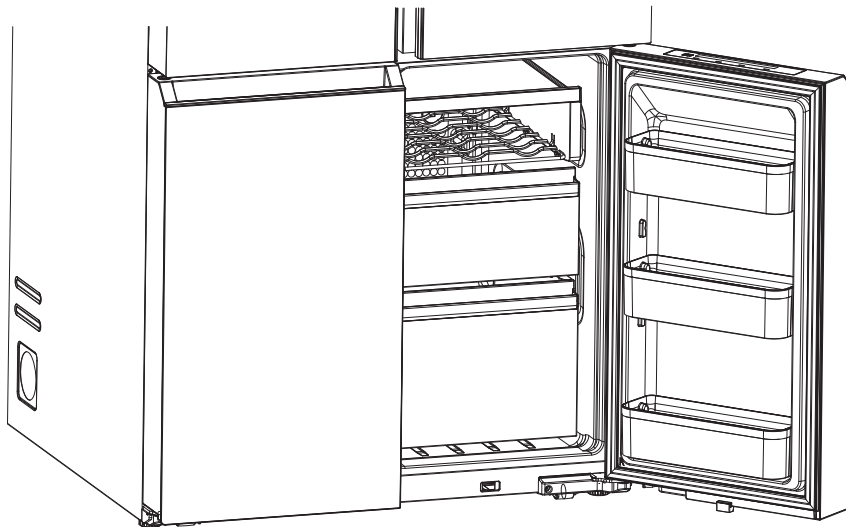
Refrigerator Storage Options

BASKETS, SHELF, AND BINS - Model CQE Only

Freezer Baskets



Select Zone Baskets, Shelf, and Wine Rack



Basket or Shelf Removal

To remove:

1. Pull basket or shelf out all the way.
2. Slightly lift front of basket or shelf and pull out.

To replace:

1. Reverse the removal steps.

Automatic Icemaker

A newly installed refrigerator may take 12 to 24 hours to begin making ice.

⚠ WARNING Connect to potable water supply only.

A cold water supply is required for automatic icemaker operation. The water pressure must be between 40 and 120 psi (275-827 kilopascals).

Automatic Icemaker

The icemaker will produce seven cubes per cycle approximately 100–130 cubes in a 24-hour period, depending on freezer compartment temperature, room temperature, number of door openings and other use conditions.

The icemaker will fill with water when it cools to 15°F (-10°C). A newly installed refrigerator may take 12 to 24 hours to begin making ice cubes.

If the refrigerator is operated before the water line connection is made to the unit or if the water supply to an operating refrigerator is turned off, make sure that the icemaker is turned off. Once the water has been connected to the refrigerator, the icemaker may be turned on using the controls.

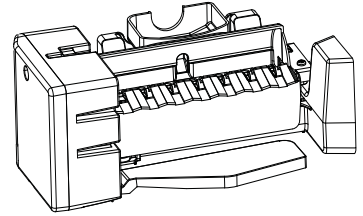
You may hear a buzzing sound each time the icemaker fills with water.

To fill the bucket to maximum capacity after installation, dispense 3-4 cubes at 12 hours and 18 hours. Allow 1-2 days for the bucket to completely fill with ice.

Throw away the first few batches of ice to allow the water line to clear.

Be sure nothing interferes with the sweep of the feeler arm.

When the bin fills to the level of the feeler arm, the icemaker will stop producing ice. It is normal for several cubes to be joined together.



If ice is not used frequently, old ice cubes will become cloudy, taste stale and shrink.

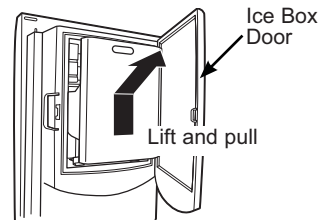
NOTE: In homes with lower-than-average water pressure, you may hear the icemaker cycle multiple times when making one batch of ice.

⚠ CAUTION To minimize the risk of personal injury, avoid contact with the moving parts of the ejector mechanism, or with the heating element that releases the cubes. Do not place fingers or hands on the automatic ice making mechanism while the refrigerator is plugged in.

To turn the icemaker **ON/OFF**, use the **Settings** button to navigate to the Icemaker selection.

Ice Bucket and Dispenser

- Open the ice box door on inside of the left door.
- Pull up and out on the ice bucket in the left hand door to remove it from the compartment.
- To replace the ice bucket, set it on the guide brackets and push until the ice bucket seats properly.



Care and Cleaning

Cleaning the Outside

FINGERPRINT RESISTANT STAINLESS STEEL*, BLACK STAINLESS, SLATE, DARK SLATE, PAINTED, GLASS - Outside surfaces, door handles, and trim

⚠ DO NOT use Stainless Steel cleaners on the door surfaces. ⚠

IMPORTANT: The use of incorrect products may damage the outer finish of Fingerprint Resistant Stainless and Black Stainless models. Please follow these instructions and use only the appropriate items below to clean your appliance surfaces.

- Clean interior/exterior surfaces with warm water, mild soap or detergent, and a soft or microfiber cloth to avoid damage.
- Wipe the appliance surface dry with a soft clean cloth or microfiber towel to avoid streaking or water spotting.

DO USE	DO NOT USE								
Soft, clean cloth or sponge Microfiber cloth	Abrasive cloths, paper towels, scrubbing sponges (with or without soap), scouring or steel wool pads								
Mild detergent mixed with warm water	<table border="0"> <tr> <td>Abrasive powders, liquids, or sprays</td> <td>Oven cleaners</td> </tr> <tr> <td>Window sprays, ammonia, or bleach</td> <td>Alkaline cleaners</td> </tr> <tr> <td>Citrus or plant oil-based cleaners</td> <td>Stainless steel cleaners</td> </tr> <tr> <td>Acidic or vinegar-based cleaners</td> <td></td> </tr> </table>	Abrasive powders, liquids, or sprays	Oven cleaners	Window sprays, ammonia, or bleach	Alkaline cleaners	Citrus or plant oil-based cleaners	Stainless steel cleaners	Acidic or vinegar-based cleaners	
Abrasive powders, liquids, or sprays	Oven cleaners								
Window sprays, ammonia, or bleach	Alkaline cleaners								
Citrus or plant oil-based cleaners	Stainless steel cleaners								
Acidic or vinegar-based cleaners									

*Easily wipe away smudges and fingerprints.

STAINLESS STEEL - Outside surfaces, door handles, and trim

NOTE: DO NOT allow stainless steel cleaner to come in contact with any plastic parts such as trim pieces, handle hardware and liners. If unintentional contact of cleaners with plastic parts does occur, clean plastic part with a sponge and mild detergent mixed with warm water.

DO USE	DO NOT USE
Soft, clean cloth or sponge	Abrasive cloths, scrubbing sponges (with or without soap), scouring or steel wool pads
Mild detergent mixed with warm water Approved stainless steel cleaners; For approved stainless steel cleaners, visit cafeappliances.com . Cleaners with oxalic acid such as Bar Keepers Friend Soft Cleanser™ can be used to remove surface rust, tarnish and small blemishes on stainless steel surfaces only.	Abrasive powders or sprays Window Sprays or Ammonia Citrus or plant oil-based cleaners Acidic or vinegar-based cleaners Oven cleaners Cleaners containing acetone (propanone) Any cleaner with WARNING about plastic contact

Cleaning the Inside

To help prevent odors, leave an open box of baking soda in the refrigerator and freezer compartments.

Unplug the refrigerator before cleaning.

If this is not practical, wring excess moisture out of sponge or cloth when cleaning around switches, lights or controls.

Use an appliance wax polish on the inside surface between the doors.

Use warm water and baking soda solution—about a tablespoon (15 ml) of baking soda to a quart (1 liter) of water. This both cleans and neutralizes odors. Rinse and wipe dry.

⚠ CAUTION Do not clean glass shelves or covers with warm water when they are cold. Glass shelves and covers may break if exposed to sudden temperature changes or impact such as bumping or dropping. Tempered glass is designed to shatter into many small pieces if it breaks.
Do not wash any plastic refrigerator parts in the dishwasher.