

# Café™ 30" Slide-In Stainless Steel Interior Range with Dynamic Bake Technology

CRS70XAWCS1



## FEATURES & BENEFITS

Inspired by high-end commercial kitchens, our industry-first stainless steel oven with Dynamic Bake technology redefines elegance and efficiency. Enjoy faster baking time, and easy clean-up with TEON™ coating.

Dynamic Bake technology cuts baking time<sup>1</sup> by up to 23% and reduces energy<sup>1</sup> use by 21%. Enjoy even heat distribution for perfect results every time. Say goodbye to long waits and hello to efficient, delicious meals.

Our exclusive TEON™ technology makes this the easiest oven to clean. The industry-leading coating provides a long-lasting, beautiful shine, effortless cleaning, and protection against discoloration, keeping your stainless steel oven pristine.

Experience the joy of perfectly illuminated cooking with enhanced lighting. Monitor your meals with precision, thanks to two strategically placed halogen lights that shine bright without interrupting the cooking process.

Our nickel-plated soft-glide racking system makes moving those heavy trays and pots effortless. Seamlessly adjust the racks to different positions without any hassle, thanks to our innovative design that prevents sticking and ensures smooth operation.

An attractive appearance at all times – Every detail of your kitchen is designed to delight, thanks to a sleek backlit glass touch control panel that visually disappears when not in use and wakes up when prompted.

Precise control delivers consistently delicious results - Achieve perfectly even desserts with accurate heat circulation thanks to True European Convection with Precise Air.

Allow your appliances to interact with one another - Create a chef-like experience with Chef Connect, which can synchronize your appliance clocks and surface lights and vent when a range burner is in use, and even your microwave and range clocks.

Create a look that matches your personal style – Select any combination of premium finishes and hardware options to create a stunning look customized to any owner's taste.

## WIFI-ENABLE FEATURES

Built-In WiFi, Powered by SmartHQ App – Manage all aspects of your kitchen with the help of the SmartHQ App or your voice assistant.

Personalized Features + Upgrades – Usher in the latest features by downloading cooking upgrades right to your oven, putting Air Fry and more in your repertoire. Air fry basket is included on product.

## APPEARANCE

Oven Door Features	Big View Oven Window Easy clean oven door Glass with Stainless Steel Overlay
Handle	Modular Consumer Removable
Handle Design	New Café
Textured Steel Side Panels	Yes

# CAFÉ

DISTINCT BY DESIGN™

## FEATURES

Configuration	Range with Warming Drawer
Cooking System	True European Convection with Precise Air
Cooking Technology	Convection
Oven Cleaning Type	Steam Clean
Cooktop Burner Type	Radiant Smoothtop
Cooktop Surface	Black Ceramic Glass
Control Location	Front controls
Control Type	Digital Temperature Display with Electronic Touchpad
WiFi Enabled Features	No-Preheat Air Fry Remote Control Remote Notifications Timers (App) Clock Sync Voice Assistants (Google)
Oven Control Features	Audible Preheat Signal Auto Oven Shut-Off with Override Auto Recipe Conversion Sabbath Mode Chef Connect Control Lock Capability C° or F° Programmable Delay Bake Option (Time Bake) Delay Clean Option Electronic Clock & Kitchen Timer Fast Preheat Hi / Low Broil Oven "ON" Light Temperature Probe
Oven Cooking Modes	Dynamic Bake Baked Goods Convection Bake Convection Roast Frozen Pizza Multi Rack Frozen Pizza Single Rack (No Preheat) Frozen Snacks Multi Rack Frozen Snacks Single Rack (No Preheat) Proof Warming 8-Pass Broil Element
Oven Rack Features	2 Soft-Glide Racks 5 Rack Positions
Oven Interior	Stainless Steel with Teon™ Coating 2 Halogen Oven Lights 1 Air Fry Basket
Connected Capabilities	The Google Assistant IFTTT Drop Innit
Element – Left Front	8"/5" 1900W
Element – Left Rear	8" 2000W
Element – Right Front	12"/9"/6" 3600W Power Boil
Element – Right Rear	6" 1200W
Element - Center	6" 80W Warming Zone
Hot Surface Indicator Lights	1
Heating Element "ON" Indicator Light	Yes
Infinite Heat Controls	Yes
Warming Drawer Features	Removable Full-Width

## CAPACITY

Total Capacity (cubic feet)	5.7 cu ft
-----------------------------	-----------

## ACCESSORIES

Trim Kit	Optional JXFILLR1SS
----------	---------------------

<sup>1</sup>The time savings and efficiency, which can reach up to 23%, and the energy savings of up to 21%, are based on tests conducted under specific usage conditions and comparisons with other models of our CAFÉ brand. Results may vary depending on usage conditions, comparisons with pyrolytic cavity models, as well as the conditions of the food and/or raw materials to be cooked or baked.

# Café™ 30" Slide-In Front Control Radiant, Stainless Steel Oven Interior, and Convection Range

CRS70XAWCS1

# CAFÉ

DISTINCT BY DESIGN™

## WEIGHTS & DIMENSIONS

Depth with Open Door	47-1/2 in
Approximate Shipping Weight	214 lb
Net Weight	201.7 lb
Height to Top of Rear Vent Trim	37-3/8 in
Overall Height	37-3/8 in
Height to Cooking Surface	36-1/4+/-1/4
Overall Width	29-7/8 in
Cabinet Width	30 in
Overall Depth	29-1/2 in
Depth without Handle	26-7/8 in
Oven Interior Dimensions (W x H x D) (in.)	24 x 19-3/4 x 20-1/2

## POWER / RATINGS

Amp Rating at 208 V	50
Amp Rating at 240V	40
Convection Wattage	2500W
Bake Wattage	2850W
Broiler Wattage	4000W
KW Rating 208V	10.4
KW Rating 240V	13.8

## WARRANTY

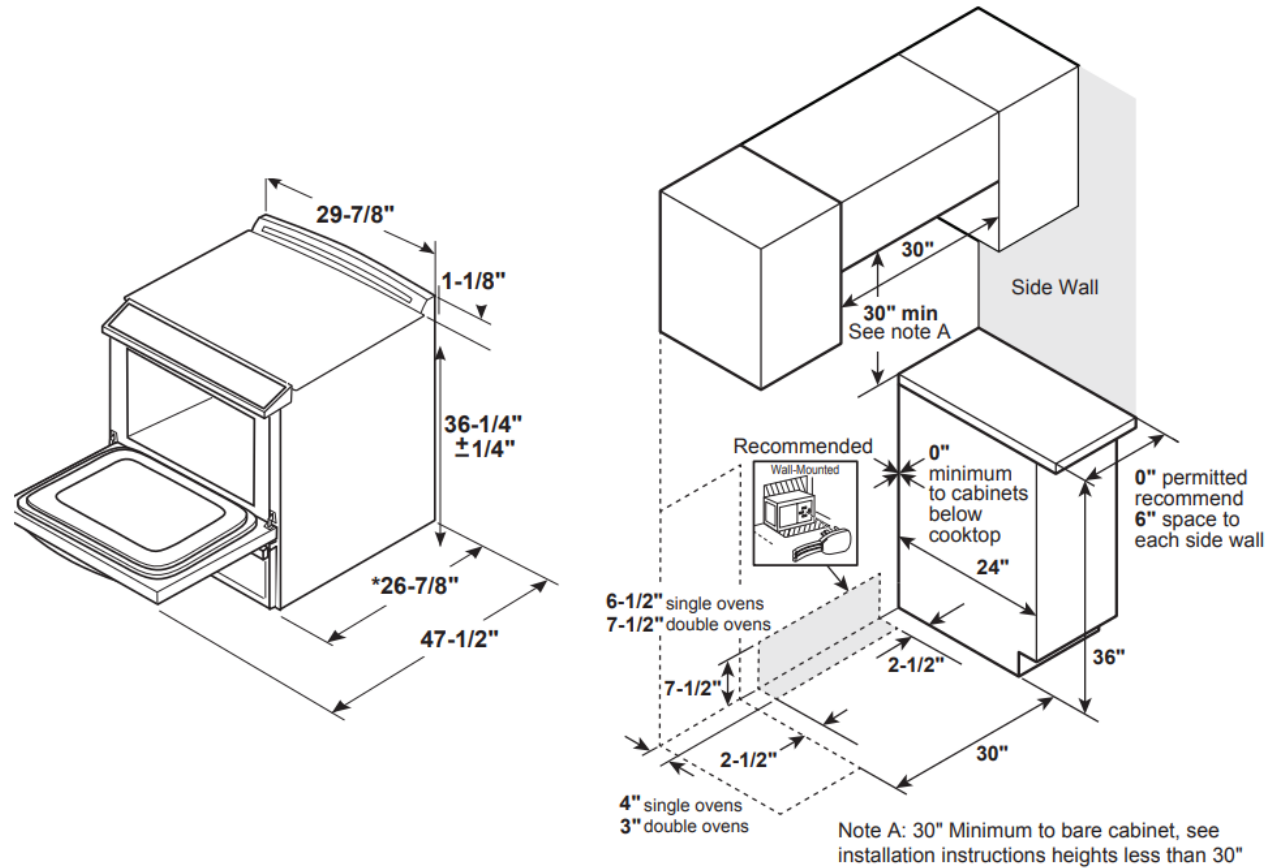
Parts warranty	Limited 1-year entire appliance 90 days post-install on cooktop glass
Labor warranty	Limited 1-year entire appliance
Warranty notes	See written warranty for full details

## DIMENSIONS

**Receptacle Locations:** Locally approved flexible service cord or conduit must be used because terminals are not accessible after range installation. See shaded area in drawing for location of electrical outlet box. Recommended outlet locations allow range to be installed directly against rear wall.

**Note:** This appliance has been approved for 0" spacing to adjacent surfaces above the cooktop. However, a 6" minimum spacing to surfaces less than 15" above the cooktop and adjacent cabinet is recommended to reduce exposure to steam, grease splatter and heat.

**Installation Information:** Before installing, consult installation instructions for current dimensional data and additional requirements.



## ADDITIONAL ACCESSORIES



CXFCEHKPMBZ  
Brushed Bronze  
2 handles  
6 knobs



CXFCEHKPMSS  
Brushed Stainless  
2 handles, 6 knobs



CXFCEHKPMBT  
Brushed Black  
2 handles, 6 knobs



CXFCEHKPMCU  
Brushed Copper  
2 handles, 6 knobs



CXFCEHKPMCG  
Brushed Brass  
2 handles, 6 knobs



CXFCEHKPMFB  
Flat Black  
2 handles, 6 knobs