

# Installation Instructions

CX8DC9SPXX, CX10DC9SPXX,  
CX12DC9SPXX  
8', 10', & 12' Duct Cover Kits

## BEFORE YOU BEGIN

Read these instructions completely and carefully.

- **IMPORTANT** — Save these instructions for local inspector's use.
- **IMPORTANT** — Observe all governing codes and ordinances.
- **Note to Installer** — Be sure to leave these instructions with the consumer.
- **Note to Consumer** — Keep these instructions with your Owner's Manual for future reference.
- These instructions are applicable to 8', 10', and 12' duct cover kit.
- The duct cover kits include an upper and a lower duct cover.
- The upper duct cover telescopes within the lower duct cover to reach the desired ceiling height.
- The installation hardware includes mounting brackets to secure duct covers to the wall and the hood.

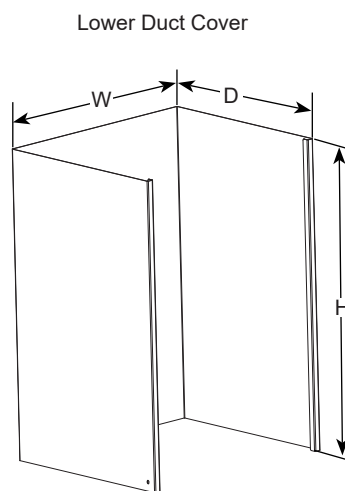
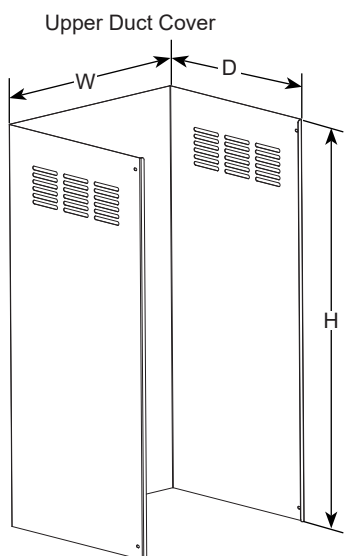
**NOTE:** Before making any holes for installations, determine which venting method will be used and calculate all measurements.

## TOOLS AND MATERIALS REQUIRED

- Gloves to protect against sharp edges
- Safety glasses
- #2 Phillips screwdriver with large shank
- Drill with 1/16" bits
- Level
- Pencil

### This Kit Includes

- Upper Duct Cover
- Lower Duct Cover
- Wall Brackets
- Hardware package with
  - Screws 2.9 x 6 PZ1 QTY: 10
  - Wall Anchors QTY: 2
  - Screw 4.2 x 44 PZ1 QTY: 2
  - Screw 3.1 x 9.5 P013 QTY: 4



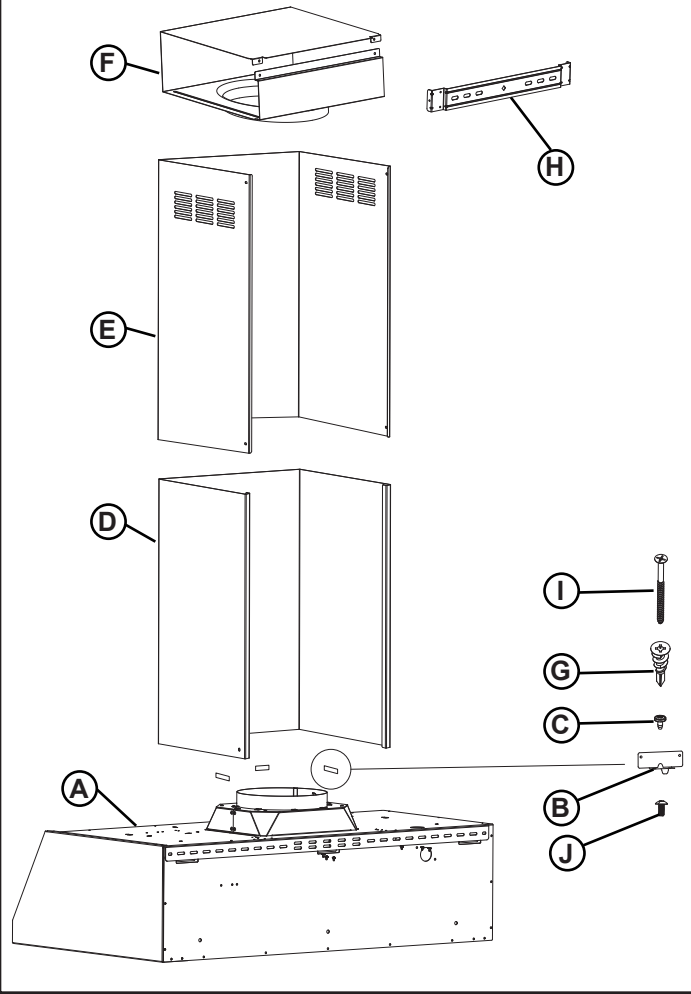
■ See tables below for product dimensions.

Duct Cover	8' Kit			Duct Cover	10' Kit			Duct Cover	12' Kit		
	H	W	D		H	W	D		H	W	D
Upper	4-1/2"	13-1/2"	11-3/4"	Upper	25-1/2"	13-1/2"	11-3/4"	Upper	37-1/2"	13-1/2"	11-3/4"
Lower		13-3/4"	11-3/4"	Lower	19-1/2"	13-3/4"	11-3/4"	Lower	37-1/4"	13-3/4"	11-3/4"

# Installation

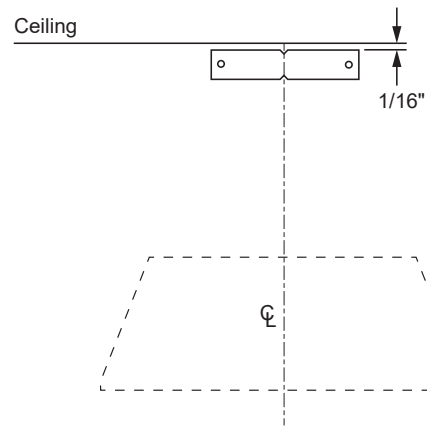
## HOOD COMPONENTS

- A - Range Hood
- B - Duct Cover Brackets (3)
- C - Screws 2.9 x 6 PZ1 (10)
- D - Lower Duct Cover (1)
- E - Upper Duct Cover (1)
- F - Recirculation Duct (1)
- G - Wall Anchors (2)
- H - Wall Bracket (1)
- I - Screws 4.2 x 44 PZ1 (2)
- J - Screw 3.1 x 9.5 P013 (4)

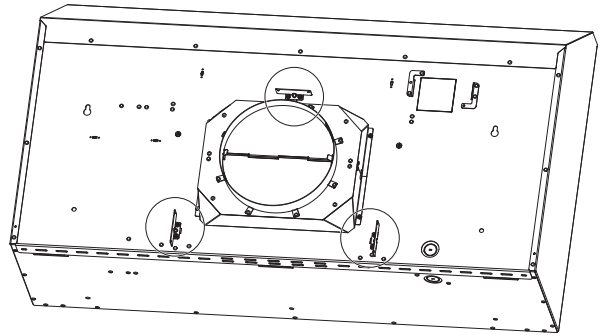


## INSTALLATION OF DUCT COVER KIT

1. Finish hood installation as per the hood install instructions.
2. Follow steps below if installing in vented mode.
  - I. Place wall bracket (H) against the back wall so that the top edge is 1/16" from the ceiling and level. Align the center of the bracket with the center line of the hood and mark bracket holes. Use the outermost bracket holes. Remove the bracket and drill 2 clearance holes for wall anchors with 1/16" drill bit. Install the wall anchors (G) and secure the bracket to the wall using screws (I).



- II. Install the 3 duct cover brackets (B) into the slots located on top of the hood shown in the image below. Secure them to the hood using screws (C).

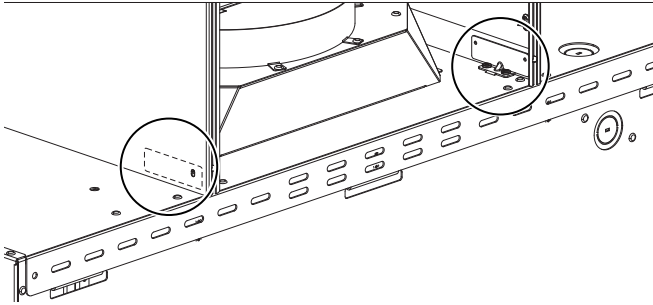


- III. Secure the upper duct cover (E) to the wall bracket using screws (J). For vented installations, the duct cover holes can be hidden by flipping the duct cover upside down. Refer to the installation height tables to verify available ceiling heights.

# Installation

## INSTALLATION OF DUCT COVER KIT (cont.)

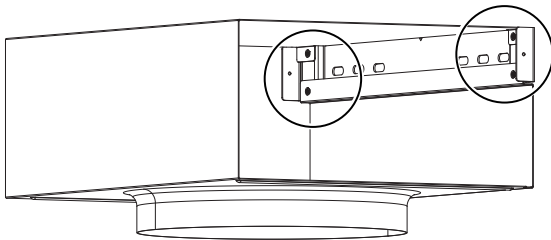
- IV. Place the lower duct cover on top of the hood. Slightly spread the sides of the duct cover apart and snap to the upper duct cover. Secure the lower duct cover to the 2 duct cover brackets (B) using 2 screws (J) as shown below.



3. Follow steps below if installing in recirculation mode.

Recirculation duct (WB34X30519) is not included with this kit and must be purchased separately.

- I. Follow Steps I and II from vented installation.
- II. Install recirculation duct to the wall bracket (H) using 4 screws (C) as shown in image below.



- III. Follow step III from vented installation to secure the upper duct cover to the wall bracket (H), ensuring that the recirculation holes are aligned with the recirculation duct.
- IV. Follow step IV from vented installation to secure lower duct cover.

# Installation

**Installation Heights Table for Models: UVW8304, UVW8364**

CX10DC9SPXX					CX12DC9SPXX				
High Ceiling Duct Cover up to 10 ft.					High Ceiling Duct Cover up to 12 ft.				
Installation Over Gas Range		Installation Over Electric Range			Installation Over Gas Range		Installation Over Electric Range		
Ceiling Height	Recirc. Installation Height	Vented Installation Height (Recirc. holes hidden)	Recirc. Installation Height	Vented Installation Height (Recirc. holes hidden)	Ceiling Height	Recirc. Installation Height	Vented Installation Height (Recirc. holes hidden)	Recirc. Installation Height	Vented Installation Height (Recirc. holes hidden)
7' 6"				24"	8' 7"				24"
7' 7"				24" to 25"	8' 8"				24" to 25"
7' 8"				24" to 26"	8' 9"				24" to 26"
7' 9"				24" to 27"	8' 10"				24" to 27"
7' 10"				24" to 28"	8' 11"			24"	24" to 28"
7' 11"			24"	24" to 29"	9'			24" to 25"	24" to 29"
8' 0"			24" to 25"	24" to 30"	9' 1"			24" to 26"	24" to 30"
8' 1"			24" to 26"	24" to 31"	9' 2"			24" to 27"	24" to 31"
8' 2"		30"	24" to 27"	24" to 32"	9' 3"		30"	24" to 28"	24" to 32"
8' 3"		30" to 31"	24" to 28"	24" to 33"	9' 4"		30" to 31"	24" to 29"	24" to 33"
8' 4"		30" to 32"	24" to 29"	24" to 34"	9' 5"		30" to 32"	24" to 30"	24" to 34"
8' 5"		30" to 33"	24" to 30"	24" to 35"	9' 6"		30" to 33"	24" to 31"	24" to 35"
8' 6"		30" to 34"	24" to 31"		9' 7"	30"	30" to 34"	24" to 32"	
8' 7"	30"	30" to 35"	24" to 32"		9' 8"	30" to 31"	30" to 35"	24" to 33"	
8' 8"	30" to 31"		24" to 33"		9' 9"	30" to 32"		24" to 34"	
8' 9"	30" to 32"		24" to 34"		9' 10"	30" to 33"		24" to 35"	
8' 10"	30" to 33"		24" to 35"	24" to 36"	9' 11"	30" to 34"			
8' 11"	30" to 34"				10'	30" to 35"			
9'	30" to 35"				10' 1"				
9' 1"					10' 2"				
9' 2"					10' 3"				
9' 3"					10' 4"		30" to 36"		
9' 4"					10' 5"				24" to 36"
9' 5"					10' 6"				
9' 6"					10' 7"				
9' 7"			25" to 36"	29" to 36"	10' 8"				
9' 8"			26" to 36"	30" to 36"	10' 9"			24" to 36"	
9' 9"			27" to 36"	31" to 36"	10' 10"				
9' 10"			28" to 36"	32" to 36"	10' 11"				
9' 11"		31" to 36"	29" to 36"	33" to 36"	11'		31" to 36"		
10'		32" to 36"	30" to 36"	34" to 36"	11' 1"		32" to 36"		
10' 1"		33" to 36"	31" to 36"	35" to 36"	11' 2"	30" to 36"	33" to 36"		
10' 2"		34" to 36"	32" to 36"	36"	11' 3"		34" to 36"		
10' 3"	31" to 36"	35" to 36"	33" to 36"		11' 4"		35" to 36"		25" to 36"
10' 4"	32" to 36"	36"	34" to 36"		11' 5"		36"		26" to 36"
10' 5"	33" to 36"		35" to 36"		11' 6"				27" to 36"
10' 6"	34" to 36"		36"		11' 7"			25" to 36"	28" to 36"
10' 7"	35" to 36"				11' 8"			26" to 36"	29" to 36"
10' 8"	36"				11' 9"			27" to 36"	30" to 36"
					11' 10"			28" to 36"	31" to 36"
					11' 11"			29" to 36"	32" to 36"
					12'			30" to 36"	33" to 36"
					12' 1"			31" to 36"	34" to 36"
					12' 2"			32" to 36"	35" to 36"
					12' 3"	31" to 36"		33" to 36"	36"
					12' 4"	32" to 36"		34" to 36"	
					12' 5"	33" to 36"		35" to 36"	
					12' 6"	34" to 36"		36"	
					12' 7"	35" to 36"			
					12' 8"	36"			

# Installation

**Installation Heights Table for Models: CVW9304, UVW9304, CVW9364, UVW9364, UVW9484**

CX8DC9SPXX			CX10DC9SPXX					CX12DC9SPXX				
Ceiling Duct Cover up to 8 ft			High Ceiling Duct Cover up to 10 ft.					High Ceiling Duct Cover up to 12 ft.				
Installation Over Gas Range		Installation Over Electric Range	Installation Over Gas Range			Installation Over Electric Range		Installation Over Gas Range			Installation Over Electric Range	
Ceiling Height	Vented Installation Height	Vented Installation Height	Ceiling Height	Recirc. Installation Height	Vented Installation Height (Recirc. holes hidden)	Recirc. Installation Height	Vented Installation Height (Recirc. holes hidden)	Ceiling Height	Recirc. Installation Height	Vented Installation Height (Recirc. holes hidden)	Recirc. Installation Height	Vented Installation Height (Recirc. holes hidden)
7' 0"		24"										
7' 1"		24" to 25"	8' 2"				24"	9' 1"				24"
7' 2"		24" to 26"	8' 3"				24" to 25"	9' 2"				24" to 25"
7' 3"		25" to 27"	8' 4"				24" to 26"	9' 3"				24" to 26"
7' 4"		26" to 28"	8' 5"				24" to 27"	9' 4"				24" to 27"
7' 5"		27" to 29"	8' 6"				24" to 28"	9' 5"			24"	24" to 28"
7' 6"		28" to 30"	8' 7"				24"	9' 6"			24" to 25"	24" to 29"
7' 7"		29" to 31"	8' 8"				24" to 25"	9' 7"			24" to 26"	24" to 30"
7' 8"	30"	30" to 32"	8' 9"				24" to 26"	9' 8"			24" to 27"	24" to 31"
7' 9"	30" to 31"	31" to 33"	8' 10"		30"	24" to 27"	24" to 32"	9' 9"		30"	24" to 28"	24" to 32"
7' 10"	30" to 32"	32" to 34"	8' 11"		30" to 31"	24" to 28"	24" to 33"	9' 10"		30" to 31"	24" to 29"	24" to 33"
7' 11"	31" to 33"	33" to 35"	9'		30" to 32"	24" to 29"	24" to 34"	9' 11"		30" to 32"	24" to 30"	24" to 34"
8' 0"	32" to 34"	34" to 36"	9' 1"		30" to 33"	24" to 30"	24" to 35"	10'		30" to 33"	24" to 31"	24" to 35"
8' 1"	33" to 35"	35" to 36"	9' 2"		30" to 34"	24" to 31"		10' 1"	30"	30" to 34"	24" to 32"	
8' 2"	34" to 36"	36"	9' 3"	30"	30" to 35"	24" to 32"		10' 2"	30" to 31"	30" to 35"	24" to 33"	
8' 3"	35" to 36"		9' 4"	30" to 31"		24" to 33"		10' 3"	30" to 32"		24" to 34"	
8' 4"	36"		9' 5"	30" to 32"		24" to 34"		10' 4"	30" to 33"		24" to 35"	
			9' 6"	30" to 33"		24" to 35"	24" to 36"	10' 5"	30" to 34"			24" to 36"
			9' 7"	30" to 34"				10' 6"	30" to 35"			
			9' 8"	30" to 35"				10' 7"				
			9' 9"					10' 8"				
			9' 10"					10' 9"				
			9' 11"					10' 10"				25" to 36"
			10'		30" to 36"	24" to 36"	25" to 36"	10' 11"				26" to 36"
			10' 1"				26" to 36"	11'				27" to 36"
			10' 2"				27" to 36"	11' 1"				28" to 36"
			10' 3"				28" to 36"	11' 2"				29" to 36"
			10' 4"					11' 3"				30" to 36"
			10' 5"				25" to 36"	11' 4"				31" to 36"
			10' 6"				26" to 36"	11' 5"				32" to 36"
			10' 7"				27" to 36"	11' 6"				33" to 36"
			10' 8"				28" to 36"	11' 7"				34" to 36"
			10' 9"				29" to 36"	11' 8"				35" to 36"
			10' 10"				30" to 36"	11' 9"				36"
			10' 11"	31" to 36"	35" to 36"	33" to 36"	36"	11' 10"				
			11'	32" to 36"	36"	34" to 36"		11' 11"				
			11' 1"	33" to 36"		35" to 36"		12'				
			11' 2"	34" to 36"		36"		12' 1"				25" to 36"
			11' 3"	35" to 36"				12' 2"				26" to 36"
			11' 4"	36"				12' 3"				27" to 36"
								12' 4"				28" to 36"
								12' 5"				29" to 36"
								12' 6"				30" to 36"
								12' 7"				31" to 36"
								12' 8"				32" to 36"
								12' 9"	31" to 36"			33" to 36"
								12' 10"	32" to 36"			34" to 36"
								12' 11"	33" to 36"			35" to 36"
								13'	34" to 36"			36"
								13' 1"	35" to 36"			
								13' 2"	36"			

# Notes

---

# Instrucciones de instalación

**CX8DC9SPXX, CX10DC9SPXX,  
CX12DC9SPXX**  
**Kits de Tapas de Conductos**  
**de 8', 10' y 12'**

## ANTES DE COMENZAR

Lea estas instrucciones por completo y con detenimiento

- **IMPORTANTE** — Guarde estas instrucciones para el uso de inspectores locales.
- **IMPORTANTE** — Cumpla con todos los códigos y ordenanzas vigentes.
- **Nota al instalador** – Asegúrese de dejar estas instrucciones con el Consumidor.
- **Nota al consumidor** — Guarde estas instrucciones con su Manual del Usuario para referencia futura.
- Estas instrucciones se aplican en kits de tapas de conductos de 8', 10' y 12'.
- Los kits de tapas de conductos incluyen una tapa de conducto superior y una inferior.
- La tapa del conducto superior se pliega dentro de la tapa del conducto inferior para alcanzar la altura deseada del cielorraso.
- Las herramientas de instalación incluyen soportes de montaje para asegurar las tapas de conducto a la pared y a la campana.

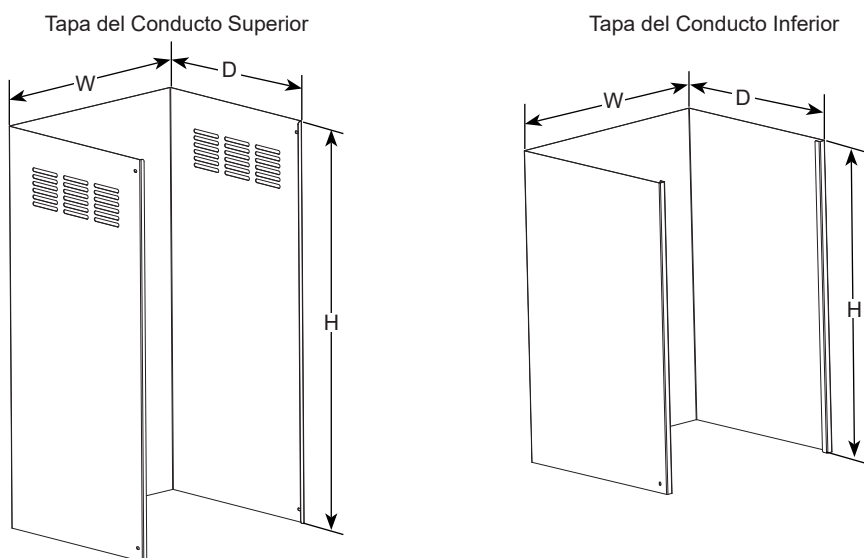
**NOTA:** Antes de hacer los agujeros para las instalaciones, determine qué método de ventilación se usará y calcule todas las medidas.

## HERRAMIENTAS Y MATERIALES REQUERIDOS

- Guantes de protección contra extremos puntiagudos
- Gafas de seguridad
- Destornillador Phillips nº 2 con caña larga
- Taladro con brocas de 1/6"
- Nivel
- Lápiz

### Este Kit Incluye

- Tapa del Conducto Superior
- Tapa del Conducto Inferior
- Soportes de Pared
- Paquete de herramientas con
  - Tornillos de 2.9 x 6 PZ1, Cant.: 10
  - Anclajes de Montaje, Cant.: 2
  - Tornillos de 4.2 x 44 PZ1, Cant.: 2
  - Tornillos de 3.1 x 9.5 P013, Cant.: 4



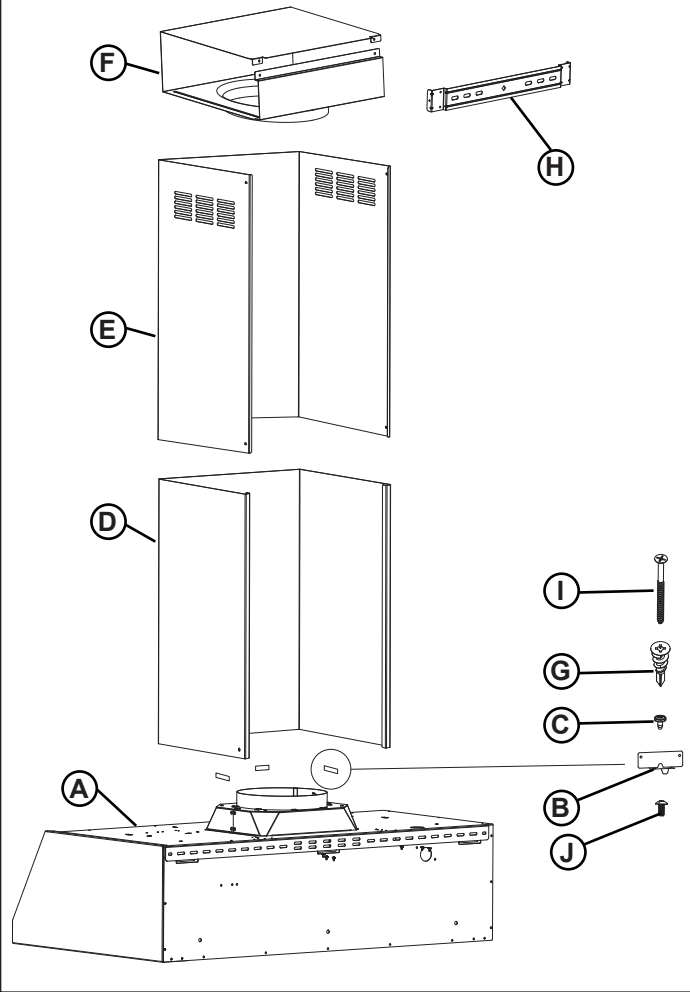
- Para conocer las dimensiones del producto, consulte las siguientes tablas

Tapa del Conducto	Kit de 8'			Tapa del Conducto	Kit de 10'			Tapa del Conducto	Kit de 12'		
	H	W	D		H	W	D		H	W	D
Superior	4-1/2"	13-1/2"	11-3/4"	Superior	25-1/2"	13-1/2"	11-3/4"	Superior	37-1/2"	13-1/2"	11-3/4"
Inferior		13-3/4"	11-3/4"	Inferior	19-1/2"	13-3/4"	11-3/4"	Inferior	37-1/4"	13-3/4"	11-3/4"

# Instalación

## COMPONENTES DE LA CAMPANA

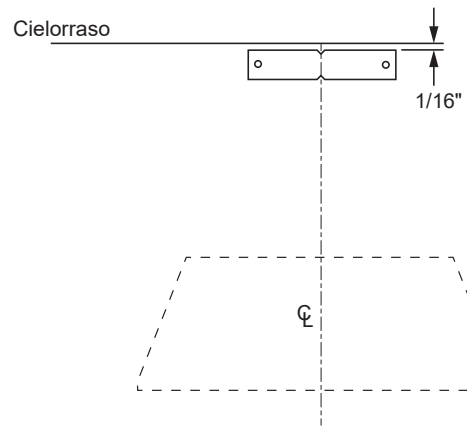
- A – Campana de Cocina
- B – Soportes de la Tapa del Conducto (3)
- C – Tornillos de 2.9 x 6 PZ1 (10)
- D – Tapa del Conducto Inferior (1)
- E – Tapa del Conducto Superior (1)
- F – Conducto de Recirculación (1)
- G – Montajes de Pared (2)
- H – Soporte de Pared (1)
- I – Tornillos de 4.2 x 44 PZ1 (2)
- J - Tornillos de 3.1 x 9.5 P013 (4)



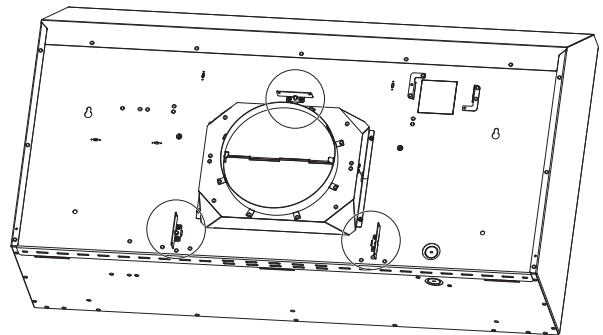
## INSTALACIÓN DEL KIT DE TAPA DE CONDUCTO

1. Termine la instalación de la campana de acuerdo con las instrucciones de instalación de la campana.
2. Sigas los pasos que figuran a continuación si realizará la instalación en el modo de ventilación.

- I. Coloque el soporte de pared (H) contra la pared trasera, de modo que el extremo superior se encuentre a 1/16" desde el cielorraso y nivelado. Alinee el centro del soporte con la línea central de la campana y marque los agujeros del soporte. Utilice los orificios del soporte más externos. Retire el soporte y perforo 2 agujeros en los espacios libres para los montajes de pared con la broca de taladro de 1/16". Instale los montaje s de pared (G) y asegure el soporte a la pared usando los tornillos (I).



- II. Instale los 3 soportes de la tapa del conducto (B) en las ranuras ubicadas en la parte superior de la campana que se muestra en la siguiente imagen. Asegúrelos a la campana usando los tornillos (C).

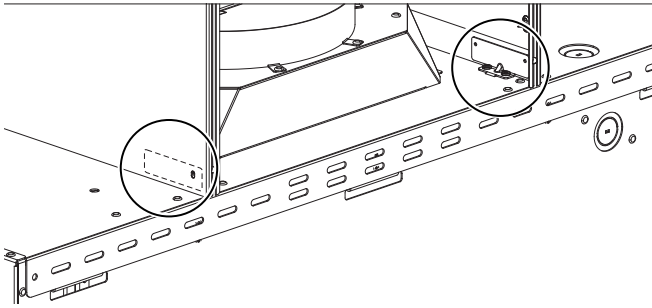


- III. Asegure la pata del conducto superior (E) al soporte de pared usando los tornillos (J). Para las instalaciones con ventilación, los agujeros de la tapa del conducto podrán quedar ocultos dando vuelta la tapa del conducto. Consulte las tablas de alturas de la instalación para verificar las alturas disponibles del cielorraso.



## INSTALACIÓN DEL KIT DE TAPA DE CONDUCTO (cont.)

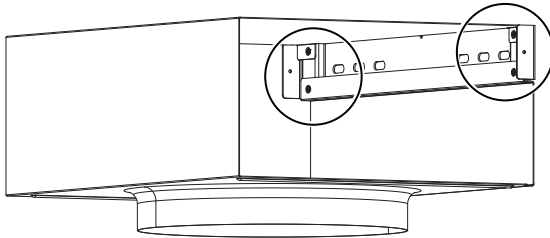
- IV. Coloque la tapa del conducto inferior sobre la campana. De a poco extienda los laterales de la tapa del conducto y calce los mismos sobre la tapa del conducto superior. Asegure la tapa del conducto inferior a los 2 soportes de la tapa del conducto (B) usando 2 tornillos (J) como se muestra a continuación.



3. Sigas los pasos que figuran a continuación si realizará la instalación en el modo de recirculación.

El conducto de recirculación (WB34X30519) no se incluye con este kit y se deberá adquirir de forma separada.

- I. Siga los Pasos I y II para la instalación con ventilación.
- II. Instale el conducto de recirculación al soporte de pared (H) usando 4 tornillos (C) como se muestra en la siguiente imagen.



- III. Siga el paso III para la instalación con ventilación a fin de asegurar la tapa del conducto superior al soporte de pared (H), asegurando que los agujeros de recirculación se encuentren alineados con el conducto de recirculación.
- IV. Siga el paso IV para la instalación con ventilación a fin de asegurar la tapa del conducto inferior.

# Instalación

**Tabla de Alturas de Instalación para los Modelos: UVW8304, UVW8364**

		CX10DC9SPXX						CX12DC9SPXX			
		Cubierta de conducto de techo alto de hasta 10 pies									
		Instalación sobre Cocina a Gas		Instalación sobre Cocina Eléctrica		Instalación sobre Cocina a Gas		Instalación sobre Cocina Eléctrica			
Altura del Cielorraso	Recirc. Installation Height	Altura de Instalación con Ventilación (agujeros de recirculación ocultos)	Altura de Instalación con Recirculación	Altura de Instalación con Ventilación (agujeros de recirculación ocultos)	Altura del Cielorraso	Recirc. Installation Height	Altura de Instalación con Ventilación (agujeros de recirculación ocultos)	Altura de Instalación con Recirculación	Altura de Instalación con Ventilación (agujeros de recirculación ocultos)		
7' 6"				24"	8' 7"				24"		
7' 7"				24" to 25"	8' 8"				24" to 25"		
7' 8"				24" to 26"	8' 9"				24" to 26"		
7' 9"				24" to 27"	8' 10"				24" to 27"		
7' 10"				24" to 28"	8' 11"			24"	24" to 28"		
7' 11"			24"	24" to 29"	9' 1"			24" to 25"	24" to 29"		
8' 0"			24" to 25"	24" to 30"	9' 1"			24" to 26"	24" to 30"		
8' 1"			24" to 26"	24" to 31"	9' 2"			24" to 27"	24" to 31"		
8' 2"		30"	24" to 27"	24" to 32"	9' 3"		30"	24" to 28"	24" to 32"		
8' 3"		30" to 31"	24" to 28"	24" to 33"	9' 4"		30" to 31"	24" to 29"	24" to 33"		
8' 4"		30" to 32"	24" to 29"	24" to 34"	9' 5"		30" to 32"	24" to 30"	24" to 34"		
8' 5"		30" to 33"	24" to 30"	24" to 35"	9' 6"		30" to 33"	24" to 31"	24" to 35"		
8' 6"		30" to 34"	24" to 31"		9' 7"	30"	30" to 34"	24" to 32"			
8' 7"	30"	30" to 35"	24" to 32"		9' 8"	30" to 31"	30" to 35"	24" to 33"			
8' 8"	30" to 31"		24" to 33"		9' 9"	30" to 32"		24" to 34"			
8' 9"	30" to 32"		24" to 34"		9' 10"	30" to 33"		24" to 35"			
8' 10"	30" to 33"		24" to 35"	24" to 36"	9' 11"	30" to 34"					
8' 11"	30" to 34"				10'	30" to 35"					
9'	30" to 35"				10' 1"						
9' 1"					10' 2"						
9' 2"					10' 3"						
9' 3"		30" to 36"	24" to 36"	25" to 36"	10' 4"		30" to 36"		24" to 36"		
9' 4"				26" to 36"	10' 5"						
9' 5"				27" to 36"	10' 6"						
9' 6"				28" to 36"	10' 7"						
9' 7"			25" to 36"	29" to 36"	10' 8"						
9' 8"			26" to 36"	30" to 36"	10' 9"						
9' 9"			27" to 36"	31" to 36"	10' 10"						
9' 10"			28" to 36"	32" to 36"	10' 11"						
9' 11"		31" to 36"	29" to 36"	33" to 36"	11'		31" to 36"				
10'		32" to 36"	30" to 36"	34" to 36"	11' 1"		32" to 36"				
10' 1"		33" to 36"	31" to 36"	35" to 36"	11' 2"		33" to 36"				
10' 2"		34" to 36"	32" to 36"	36"	11' 3"		34" to 36"				
10' 3"	31" to 36"	35" to 36"	33" to 36"		11' 4"		35" to 36"		25" to 36"		
10' 4"	32" to 36"	36"	34" to 36"		11' 5"		36"		26" to 36"		
10' 5"	33" to 36"		35" to 36"		11' 6"				27" to 36"		
10' 6"	34" to 36"		36"		11' 7"			25" to 36"	28" to 36"		
10' 7"	35" to 36"				11' 8"			26" to 36"	29" to 36"		
10' 8"	36"				11' 9"			27" to 36"	30" to 36"		
					11' 10"			28" to 36"	31" to 36"		
					11' 11"			29" to 36"	32" to 36"		
					12'			30" to 36"	33" to 36"		
					12' 1"			31" to 36"	34" to 36"		
					12' 2"			32" to 36"	35" to 36"		
					12' 3"	31" to 36"		33" to 36"	36"		
					12' 4"	32" to 36"		34" to 36"			
					12' 5"	33" to 36"		35" to 36"			
					12' 6"	34" to 36"		36"			
					12' 7"	35" to 36"					
					12' 8"	36"					

# Instalación

**Tabla de Alturas de Instalación para los Modelos: CVW9304, UVW9304, CVW9364, UVW9364, UVW9484**

Tapa del Conducto del Cielorraso de hasta 8 pies			Cubierta de conducto de techo alto de hasta 10 pies					Cubierta de conducto de techo alto de hasta 12 pies				
			Instalación sobre Cocina a Gas		Installation Over Electric Range			Instalación sobre Cocina a Gas		Instalación sobre Cocina Eléctrica		
Altura del Cielorraso	Instalación sobre Cocina a Gas	Instalación sobre Cocina Eléctrica	Altura del Cielorraso	Altura de Instalación con Recirculación	Altura de Instalación con Ventilación (agujeros de recirculación ocultos)	Recirc. Installation Height	Altura de Instalación con Ventilación (agujeros de recirculación ocultos)	Altura del Cielorraso	Altura de Instalación con Recirculación	Altura de Instalación con Ventilación (agujeros de recirculación ocultos)	Recirc. Installation Height	Altura de Instalación con Ventilación (agujeros de recirculación ocultos)
7' 0"		24"	8' 2"				24"	9' 1"				24"
7' 1"		24" to 25"	8' 3"				24" to 25"	9' 2"				24" to 25"
7' 2"		24" to 26"	8' 4"				24" to 26"	9' 3"				24" to 26"
7' 3"		25" to 27"	8' 5"				24" to 27"	9' 4"				24" to 27"
7' 4"		26" to 28"	8' 6"				24" to 28"	9' 5"			24"	24" to 28"
7' 5"		27" to 29"	8' 7"			24"	24" to 29"	9' 6"			24" to 25"	24" to 29"
7' 6"		28" to 30"	8' 8"			24" to 25"	24" to 30"	9' 7"			24" to 26"	24" to 30"
7' 7"		29" to 31"	8' 9"			24" to 26"	24" to 31"	9' 8"			24" to 27"	24" to 31"
7' 8"	30"	30" to 32"	8' 10"		30"	24" to 27"	24" to 32"	9' 9"		30"	24" to 28"	24" to 32"
7' 9"	30" to 31"	31" to 33"	8' 11"		30" to 31"	24" to 28"	24" to 33"	9' 10"		30" to 31"	24" to 29"	24" to 33"
7' 10"	30" to 32"	32" to 34"	9'		30" to 32"	24" to 29"	24" to 34"	9' 11"		30" to 32"	24" to 30"	24" to 34"
7' 11"	31" to 33"	33" to 35"	9' 1"		30" to 33"	24" to 30"	24" to 35"	10'		30" to 33"	24" to 31"	24" to 35"
8' 0"	32" to 34"	34" to 36"	9' 2"		30" to 34"	24" to 31"		10' 1"	30"	30" to 34"	24" to 32"	
8' 1"	33" to 35"	35" to 36"	9' 3"	30"	30" to 35"	24" to 32"		10' 2"	30" to 31"	30" to 35"	24" to 33"	
8' 2"	34" to 36"	36"	9' 4"	30" to 31"		24" to 33"		10' 3"	30" to 32"		24" to 34"	
8' 3"	35" to 36"		9' 5"	30" to 32"		24" to 34"		10' 4"	30" to 33"		24" to 35"	
8' 4"	36"		9' 6"	30" to 33"		24" to 35"	24" to 36"	10' 5"	30" to 34"			24" to 36"
			9' 7"	30" to 34"				10' 6"	30" to 35"			
			9' 8"	30" to 35"				10' 7"				
			9' 9"					10' 8"				
			9' 10"					10' 9"				
			9' 11"					10' 10"				25" to 36"
			10'		30" to 36"	24" to 36"	25" to 36"	10' 10"		30" to 36"		26" to 36"
			10' 1"				26" to 36"	10' 11"				27" to 36"
			10' 2"				27" to 36"	11'				28" to 36"
			10' 3"	30" to 36"			28" to 36"	11' 1"				29" to 36"
			10' 4"			25" to 36"	29" to 36"	11' 2"				30" to 36"
			10' 5"			26" to 36"	30" to 36"	11' 3"				31" to 36"
			10' 6"			27" to 36"	31" to 36"	11' 4"				32" to 36"
			10' 7"			28" to 36"	32" to 36"	11' 5"				33" to 36"
			10' 8"		31" to 36"	29" to 36"	33" to 36"	11' 6"		31" to 36"		34" to 36"
			10' 9"		32" to 36"	30" to 36"	34" to 36"	11' 7"		32" to 36"		35" to 36"
			10' 10"		33" to 36"	31" to 36"	35" to 36"	11' 8"	30" to 36"	33" to 36"		
			10' 10"		34" to 36"	32" to 36"	36"	11' 9"		34" to 36"		
			10' 11"	31" to 36"	35" to 36"	33" to 36"		11' 9"		35" to 36"		
			11'	32" to 36"	36"	34" to 36"		11' 10"		36"		
			11' 1"	33" to 36"		35" to 36"		11' 11"				
			11' 2"	34" to 36"		36"		12'				25" to 36"
			11' 3"	35" to 36"				12' 1"				26" to 36"
			11' 4"	36"				12' 2"				27" to 36"
								12' 3"				28" to 36"
								12' 4"				29" to 36"
								12' 5"				30" to 36"
								12' 6"				31" to 36"
								12' 7"				32" to 36"
								12' 8"				33" to 36"
								12' 9"	31" to 36"			34" to 36"
								12' 10"	32" to 36"			35" to 36"
								12' 11"	33" to 36"			
								13'	34" to 36"			36"
								13' 1"	35" to 36"			
								13' 2"	36"			

# Notas

---