

Installation Instructions

Glass Wall Chimney Vent Hoods

CVW7301, CVW7361

If you have questions, visit our website at: cafeappliances.com

BEFORE YOU BEGIN

Read these instructions carefully and completely.

- **IMPORTANT** – Save these instructions for local inspector's use.
- **IMPORTANT** – Observe all governing codes and ordinances.
- **Note to Installer** – Be sure to leave these instructions with Consumer.
- **Note to Consumer** – Keep these instructions for future reference.
- **Skill level** – Installation of this appliance requires a qualified installer or electrician.
- **Completion time** – Approximately 1 to 3 hours
- Proper installation is the responsibility of the installer.
- Product failure due to improper installation is not covered under Warranty.

⚠ CAUTION Due to the weight and size of these vent hoods and to reduce the risk of personal injury or damage to the product, **TWO PEOPLE ARE REQUIRED FOR PROPER INSTALLATION.**

FOR YOUR SAFETY:

⚠ WARNING Before beginning the installation, switch power off at the service panel and lock the service disconnecting means to prevent power from being switched on accidentally. When the service disconnecting means cannot be locked, securely fasten a prominent warning device, such as a tag, to the service panel.

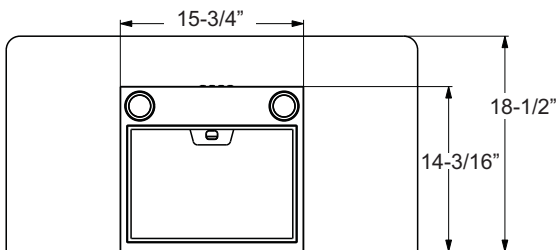
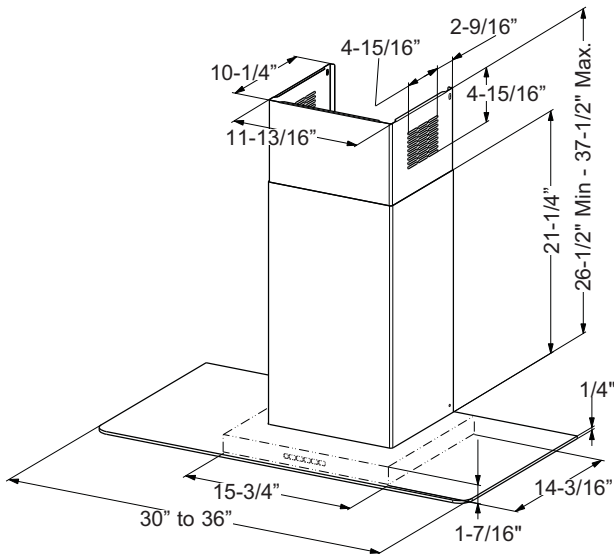
⚠ WARNING **TO REDUCE THE RISK OF FIRE, ELECTRIC SHOCK OR INJURY TO PERSONS, OBSERVE THE FOLLOWING:**

- A. Installation work and electrical wiring must be done by qualified person(s) in accordance with all applicable codes and standards, including fire-rated construction.
- B. Sufficient air is needed for proper combustion and exhausting of gases through the flue (chimney) of fuel burning equipment to prevent back drafting. Follow the heating equipment manufacturer's guidelines and safety standards such as those published by the National Fire Protection Association (NFPA), the American Society for Heating, Refrigeration and Air Conditioning Engineers (ASHRAE) and the local code authorities.
- C. When cutting or drilling into wall or ceiling, do not damage electrical wiring and other hidden utilities.
- D. Ducted fans must always be vented to the outdoors.
- E. Turn off breaker to adjacent rooms while working.

⚠ WARNING **TO REDUCE THE RISK OF FIRE, USE ONLY METAL DUCT WORK.**

Installation Instructions

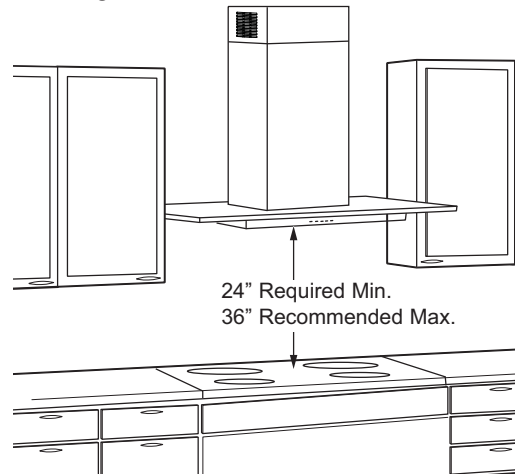
PRODUCT DIMENSIONS



INSTALLATION CLEARANCES

These vent hoods are designed to be installed onto a wall with no above cabinets.

- Install these hoods between the 24" required minimum and 36" recommended maximum above the cooking surface.



The vent hood must be installed between the 24" required minimum and 36" recommended maximum above the cooking surface. The hood installation height above the cooking surface depends upon ceiling height and duct cover limitations. The telescopic duct cover conceals the ductwork running from the top of the hood to the ceiling. For supplied duct cover ceiling heights, see table on page 5.

NOTE: Installation height should be measured from the cooking surface to the lowest part of the hood. This hood must be installed onto a wall. It can be vented to the outdoors, or it can be installed for recirculating operation. For recirculation operation, see **Recirculation Install Planning**.

Installation Instructions

ADVANCE PLANNING

Duct Install Planning

- This hood is designed to be vented vertically through the ceiling. Use a 6" round duct. Use locally supplied elbows to vent horizontally through the rear wall.
- Use metal ductwork only.
- Determine the exact location of the vent hood.
- Plan the route for venting exhaust to the outdoors. To maximize the ventilation performance of the vent system:
 1. Minimize the duct run length and number of transitions and elbows.
 2. Maintain a constant duct size.
 3. Seal all joints with duct tape to prevent any leaks.
 4. Do not use any type of flexible ducting.
- Install a wall cap or roof cap with damper at the exterior opening. Purchase the wall or roof cap and any transition and length of duct needed in advance.
- When applicable, install any makeup (replacement) air system in accordance with local building code requirements. Visit cafeappliances.com for available makeup air solutions.

Recirculation Install Planning

A recirculation duct (included) and one charcoal filter (not included) are necessary for recirculation installation.

Power Supply Planning

The location of the power supply connection is called out in the **Prepare the Wall** section on page 7.

POWER SUPPLY

IMPORTANT – (Please read carefully)

⚠ WARNING

FOR PERSONAL SAFETY, THIS APPLIANCE MUST BE PROPERLY GROUNDED.

Remove house fuse or open circuit breaker before beginning installation.

Do not use an extension cord or adapter plug with this appliance. Follow National Electrical Codes or prevailing local codes and ordinances.

Electrical supply

These vent hoods must be supplied with 120V, 60Hz, and connected to an individual, properly grounded branch circuit, and protected by a 15 or 20 amp circuit breaker or time delay fuse.

- Wiring must be 2 wire with ground.
- If the electrical supply does not meet the above requirements, call a licensed electrician before proceeding.
- Route house wiring as close to the installation location as possible in the ceiling or wall.
- Connect the wiring to the house wiring in accordance with local codes.

Grounding instructions

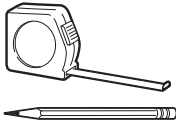
The grounding conductor must be connected to a ground metal, permanent wiring system, or an equipment-grounding terminal or lead on the hood.

⚠ WARNING

The improper connection of the equipment-grounding conductor can result in a risk of electric shock. Check with a qualified electrician or service representative if you are in doubt whether the appliance is properly grounded.

Installation Instructions

TOOLS AND MATERIALS REQUIRED (NOT SUPPLIED)



Pencil and tape measure



Safety glasses



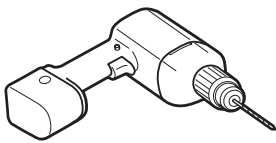
Phillips screwdriver



Level



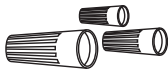
Wire cutter/stripper



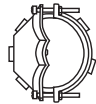
Electric drill with #2 Phillips, flat head, and 9/32" drill bit



Aluminized Duct tape



UL listed wire nuts



Strain relief for junction box

REMOVE THE PACKAGING

⚠ CAUTION

Wear gloves to protect against sharp edges.

- Remove the duct covers.
- Remove the hardware bag, literature package and other boxed parts.
- Remove and properly discard the protective plastic wrapping and other packaging materials.

PLAN THE INSTALLATION

⚠ CAUTION

To reduce risk of fire and to properly exhaust air, be sure to duct the air outside – Do not vent exhaust air into spaces within walls or ceilings or into attics, crawl spaces, or garages.

PARTS SUPPLIED FOR INSTALLATION

- 1 Hardware Package
- 1 Literature Package

PARTS NEEDED FOR INSTALLATION

- 1 Strain Relief
- Power Supply Cable
- 1 Wall or Roof Cap (for ducted venting only)
- All Metal Ductwork (for ducted venting only)
- Recirculation Duct (for recirculation install only)

⚠ WARNING

PERSONAL INJURY HAZARD

Because of the weight and size of the rangehood canopy. It is recommended that 2 people are used to install the range hood. Failure to properly lift rangehood could result in damage to the product or personal injury.

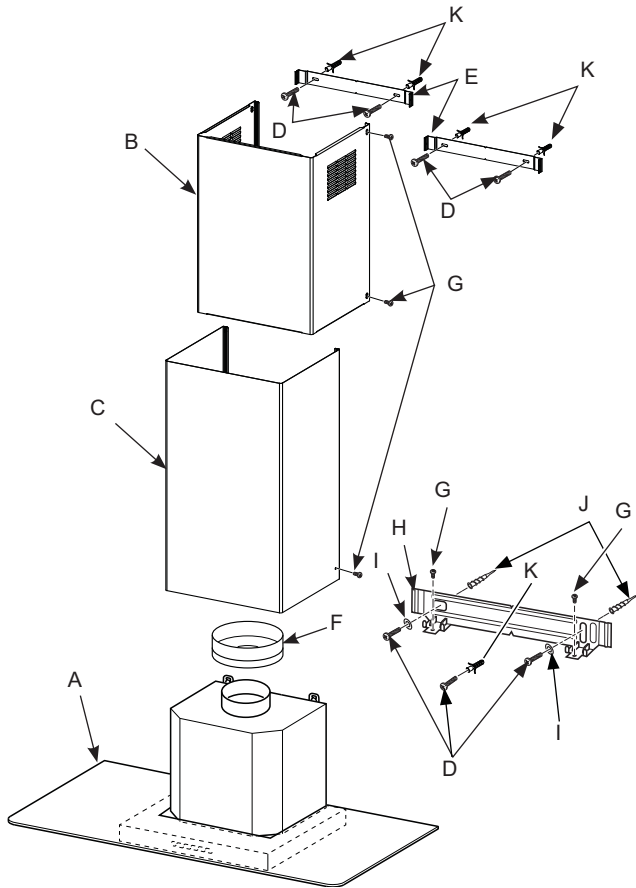
NOTE: This rangehood can be installed as either ducted or recirculation. In a ducted application, this rangehood can be vented through the wall or ceiling. When installed for recirculation, the rangehood vents out the sides of the duct cover.

NOTE: Before making any cuts or holes for installation, determine which venting method will be used and carefully calculate all measurements.

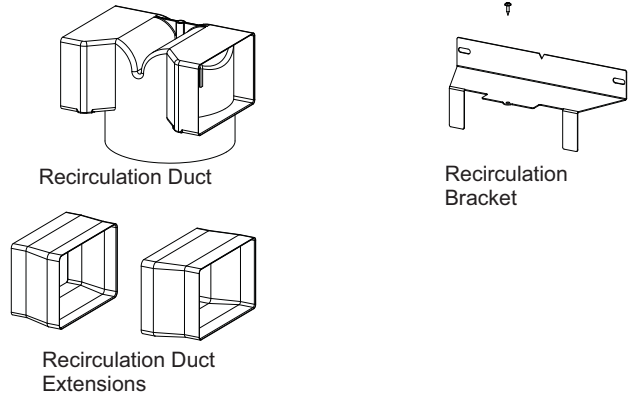
Installation Instructions

RANGE HOOD COMPONENTS

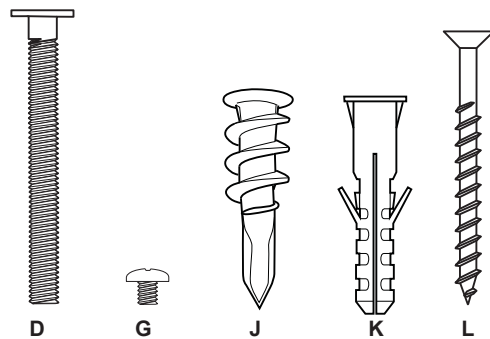
- A. Canopy Section
- B. Upper Duct Cover
- C. Lower Duct Cover
- D. Mounting Screws
- E. Duct Cover
- F. Damper
- G. Duct Cover Screws
- H. Mounting Bracket
- I. Washers
- J. Canopy Mounting Anchors
- K. Duct Cover Anchors
- L. Dry Wall Self-Tapping Screws (for Junction Box)



RECIRCULATION COMPONENTS

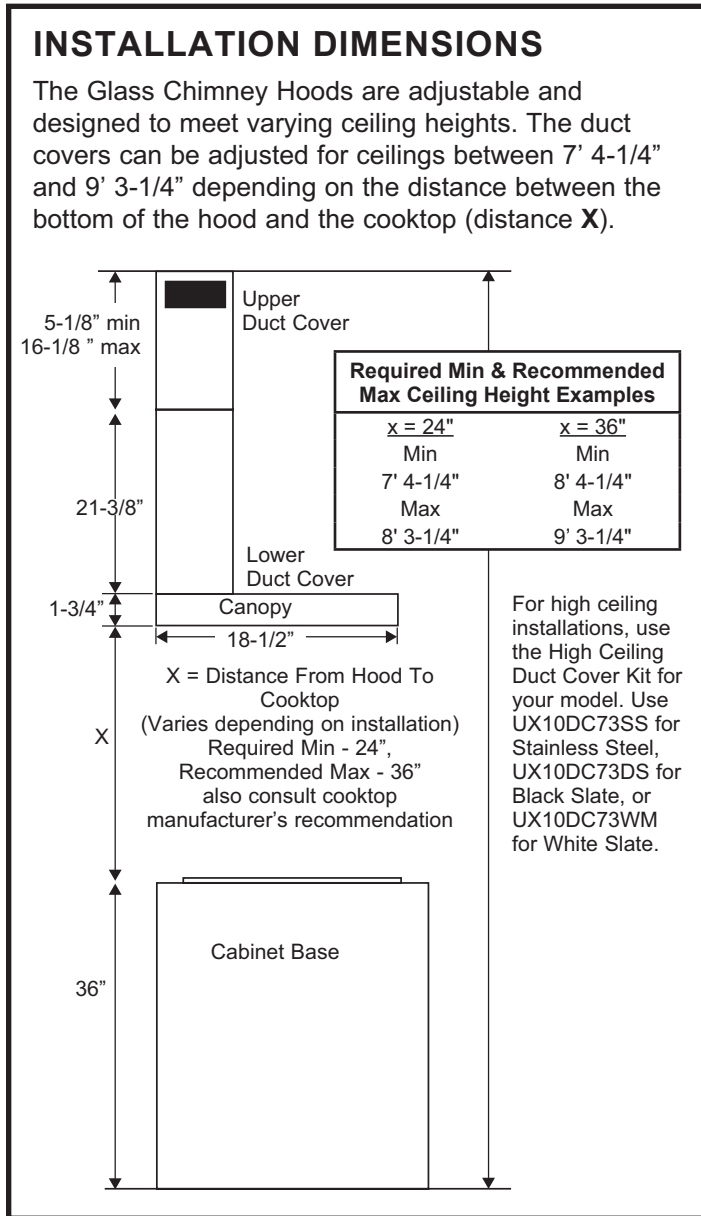


HARDWARE COMPONENTS



Installation Instructions

See table for max install height with included duct covers and accessory:



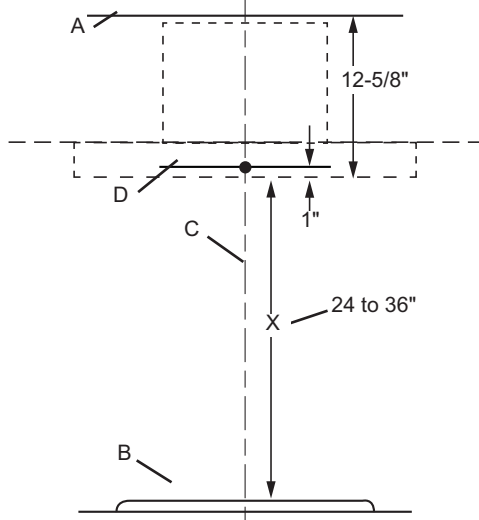
Ceiling Height (Actual)	Included	UX10DC73 (Accessory)
7' 5"	24"	
7' 6"	24" to 25"	
7' 7"	24" to 26"	
7' 8"	24" to 27"	
7' 9"	24" to 28"	
7' 10"	24" to 29"	
7' 11"	24" to 30"	
8'	24" to 31"	24"
8' 1"	24" to 32"	24" to 25"
8' 2"	24" to 33"	24" to 26"
8' 3"	24" to 34"	24" to 27"
8' 4"	25" to 35"	24" to 28"
8' 5"	26" to 36"	24" to 29"
8' 6"	27" to 36"	24" to 30"
8' 7"	28" to 36"	24" to 31"
8' 8"	29" to 36"	24" to 32"
8' 9"	30" to 36"	24" to 33"
8' 10"	31" to 36"	24" to 34"
8' 11"	32" to 36"	24" to 35"
9'	33" to 36"	24" to 36"
9' 1"	34" to 36"	24" to 36"
9' 2"	35" to 36"	24" to 36"
9' 3"	36"	24" to 36"
9' 4"		24" to 36"
9' 5"		24" to 36"
9' 6"		24" to 36"
9' 7"		24" to 36"
9' 8"		25" to 36"
9' 9"		26" to 36"
9' 10"		27" to 36"
9' 11"		28" to 36"
10'		29" to 36"
10' 1"		30" to 36"
10' 2"		31" to 36"
10' 3"		32" to 36"
10' 4"		33" to 36"
10' 5"		34" to 36"
10' 6"		35" to 36"
10' 7"		36"

Installation Instructions

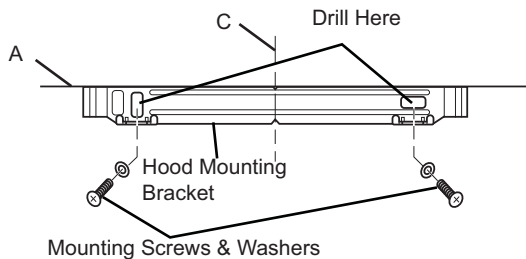
PREPARE THE WALL

Hood Body

1. Put a protective covering over the surface below the location of the hood to protect from dirt and/or damage.
2. Determine and mark the centerline on the wall (draw line up to the ceiling) where the range hood will be installed. Based on the ceiling height, determine the distance 24" required min, 36" recommended max (X) needed between the cooking surface (B) and the bottom of the hood. To this distance, add 12-5/8" and draw a horizontal line (A) about 24" long centered on the vertical centerline (C).



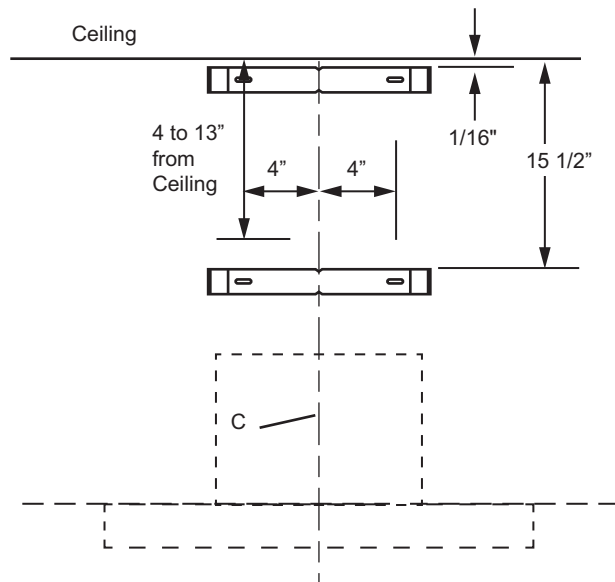
3. Align the top edge of the mounting bracket with the horizontal line (A). Align the center notches of the bracket with the centerline (C) and mark the center of the bracket holes. Remove the bracket to drill the 2 canopy mounting anchors into the wall at the markings. Place the mounting bracket back on the wall and install the 2 mounting screws with 2 washers into the anchors. Tighten screws.



4. Draw a second horizontal line (D) that is 1" added from the (X) distance. Drill a hole into the wall with a 9/32" drill bit at the intersection of the horizontal line (D) and vertical centerline (C). Insert a duct cover anchor.

Duct Covers and Power Supply

1. Place one of the duct cover brackets against the wall so that its top edge is 1/16" from the ceiling and level. Align the center notches of the bracket and the centerline (C) and mark the centers of the bracket holes. Remove the bracket to drill the 2 holes for installation with a 9/32" drill bit, and insert the duct cover anchors. Place the bracket back on the wall and install the 2 mounting screws into the anchors. Tighten screws.
2. Place the other duct cover bracket on the wall so that its top edge is 15-1/2" from the ceiling and level. Align the center notches of the bracket and the centerline (C) and mark the centers of the bracket holes. Remove the bracket to drill the 2 holes for installation with a 9/32" drill bit, and insert the duct cover anchors. Place the bracket back on the wall and install the 2 mounting screws into the anchors. Tighten screws.
3. Determine and mark where the hole will be drilled for the power supply cable to be run through the wall. The center of the hole can be located 4" to the left or right of the centerline (C) while remaining between 4" and 13" down from the ceiling. Once the center of the hole is marked, drill a 1 1/4" diameter hole.



Installation Instructions

PREPARE HOOD FOR INSTALLATION

Remove the grease filter from the unit and set aside. The grease filter is removed by pressing the handle in front of the filter. When replacing, make sure that the filter is properly positioned with the handles in front and visible.



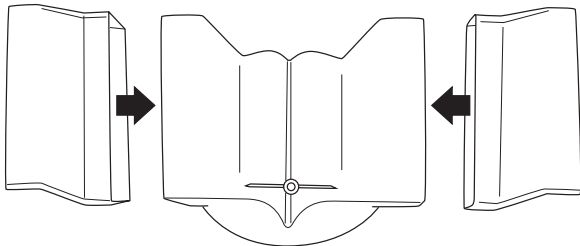
Vented Installations

1. Securely press the damper on top of the exhaust opening. Check that the damper opens freely.
2. Remove and properly discard the protective plastic wrapping from the hood and grease filter. For more cleaning options refer to Owner's Manual.
3. Go to **Mount the Glass Range Hood** section.

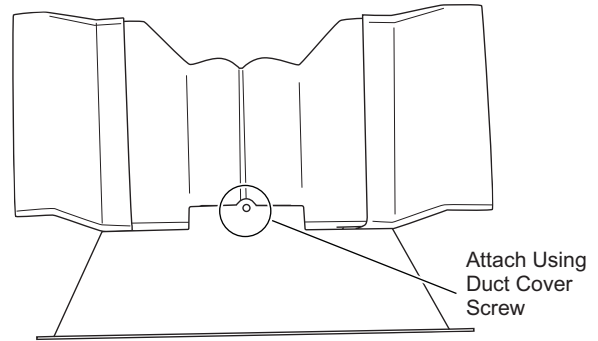
Non-vented (ductless) Installations

NOTE: A recirculation duct, extensions, and bracket are all included with the hood and are necessary for recirculation installation. A charcoal filter, not included, is also needed for recirculation installation. The damper is not installed on the unit with recirculation installation.

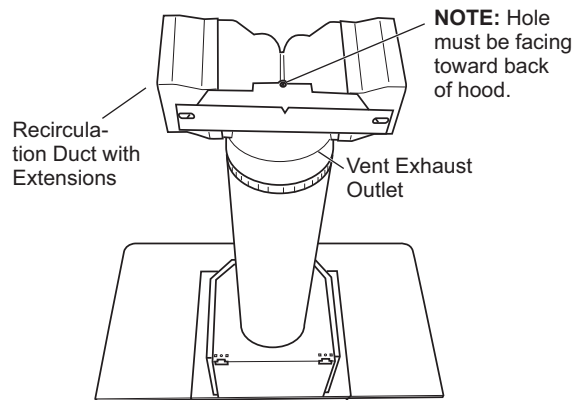
1. Install the recirculation duct extensions to the recirculation duct.



2. Attach the recirculation duct mounting bracket to the recirculation duct using the duct cover screw supplied with the hardware package.



3. Fit the recirculation duct with extensions over the vent exhaust outlet and push down to seat on outlet. Attach the vertical duct work to the top of the hood. Check that the recirculation duct is in the proper orientation (hole facing towards the back of the hood).

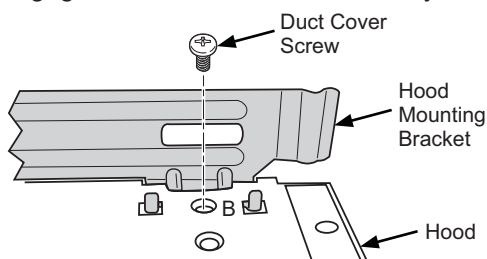


4. Go to **Mount the Glass Range Hood** section.

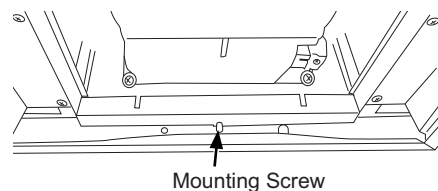
MOUNT THE GLASS RANGE HOOD

NOTE: If ductless (recirculation) installation, follow steps 1-6. If ducted installation, follow steps 1-3.

1. Using 2 or more people, lift the range hood and place on the hood mounting bracket. Make sure the bracket fully engages the holes on the hood body.



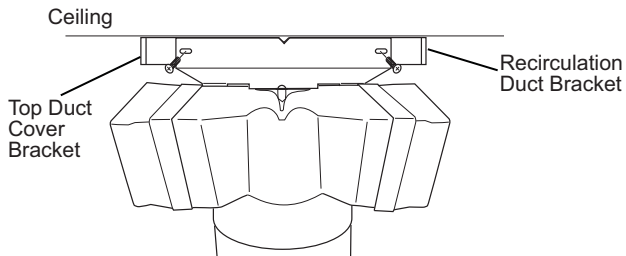
2. Place a mounting screw into the duct cover anchor at the center slot provided on the bottom of the back side of the hood. Securely tighten.
3. Secure the hood to the mounting bracket by fastening a duct cover screw in hole (B) on both sides of bracket shown previously



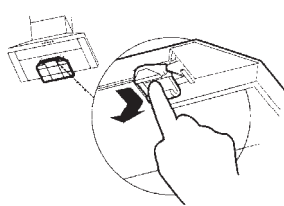
Installation Instructions

MOUNT THE GLASS RANGE HOOD (Continued)

4. Remove the top duct cover bracket from the wall.
5. Align the top edge of the duct cover bracket with the top edge of the recirculation duct mounting bracket that is attached to the recirculation duct. Align the center notches of each bracket. Place both brackets back onto the wall in the previous position. Install the 2 mounting screws into the anchors and securely tighten.

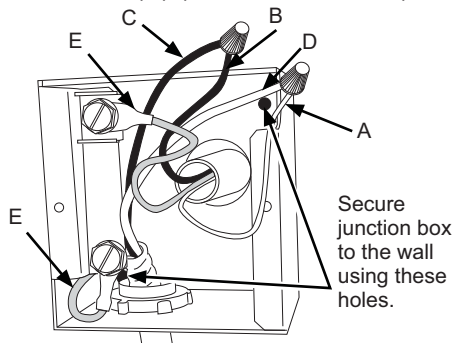


6. Attach the **CHARCOAL FILTER** (not included).



ELECTRICAL CONNECTION

1. Remove the cover from the field wiring compartment. Feed the Power Supply Cable through the hole in the compartment.
2. Connect the Power Supply Cable to the range hood junction box through the hole that was drilled in the "Preparing the Wall" section on page 6. Attach the White lead of the power supply (A) to the White lead of the range hood (D) with a wire nut. Attach the Black lead of the power supply (B) to the Black lead of the range hood (C) with a wire nut. Connect the Green (E) (Green and Yellow) ground wire under the Green grounding screw.

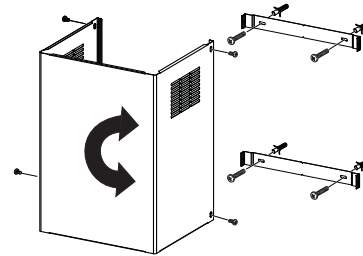


3. Secure the junction box to the wall using 2 dry wall self-tapping screws into the two diagonal holes in the junction box. Reattach the field wiring compartment cover.

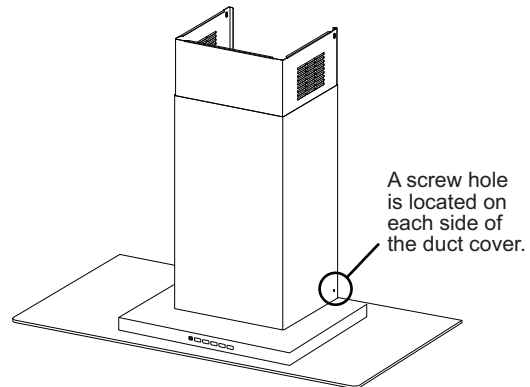
FINISH THE INSTALLATION

1. **Ducted installation only:** Connect the house ducting to the damper on the hood body. Seal all connections with duct tape.
2. **For ducted and recirculation installation:** Install the upper duct cover. Slightly spread the sides of the cover apart and hook them behind the duct cover mounting brackets. Attach the cover to the brackets with 4 duct cover screws.

NOTE: Depending on the ceiling height and hood install height, the upper duct cover can be installed with the exhaust vents on the top towards the ceiling, or flip the duct cover and hide the exhaust vents under the lower duct cover.



3. Install the lower duct cover. Slightly spread the sides of the cover apart and hook them behind the upper duct cover and the wall. Slide the lower duct cover down to fit securely into the top of the range hood.
4. Finish attaching the lower duct cover to the chimney of the vent hood with 2 duct cover screws into holes on both sides of the cover.



5. Reinstall the metal grease filter to the vent hood.
6. Turn the power supply on. Turn on blower and light. If the rangehood does not operate, check that the circuit breaker is not tripped or the house fuse blown. If the unit still does not operate, disconnect the power supply and check that the wiring connections have been made properly.

Notes

Instructions d'installation

Hotte à montage mural - type cheminée

CVW7301, CVW7361

Si vous avez des questions, visitez notre site Web : cafeappliances.ca/fr

AVANT DE COMMENCER

Lisez attentivement toutes ces instructions.

- **IMPORTANT** – Conservez ces instructions pour l'inspecteur local.
- **IMPORTANT** – Respectez tous les codes et règlements en vigueur.
- **Remarque destinée à l'installateur** – Veillez à laisser ces instructions au consommateur.
- **Remarque destinée à l'acheteur** – Conservez ces instructions pour vous y reporter ultérieurement.
- **Niveau de compétence** – L'installation de cet appareil nécessite un installateur ou un électricien qualifié.
- **Durée de l'installation** – Entre 1 heure et 3 heures environ
- L'installateur est responsable de la qualité de l'installation.
- Une panne de ce produit causée par une mauvaise installation n'est pas couverte par la garantie.

ATTENTION Compte tenu du poids et de la dimension de ces hottes, et afin de réduire les risques de blessure et pour ne pas endommager le produit, **SON INSTALLATION DOIT ÊTRE EFFECTUÉE PAR DEUX PERSONNES.**

POUR VOTRE SÉCURITÉ :

AVERTISSEMENT Avant de commencer l'installation, coupez le courant au tableau de distribution et bloquez le disjoncteur pour éviter que le courant ne soit accidentellement rétabli. S'il n'est pas possible de bloquer le disjoncteur, posez un avertissement bien visible, comme une étiquette, sur le tableau de distribution.

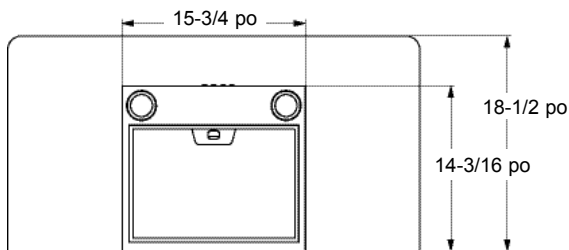
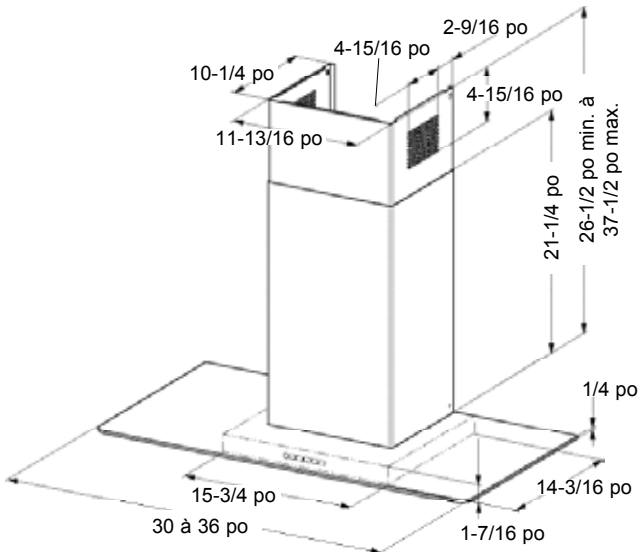
AVERTISSEMENT POUR DIMINUER LES RISQUES D'INCENDIE, DE CHOC ÉLECTRIQUE OU DE BLESSURES, SUIVEZ LES CONSIGNES SUIVANTES :

- A. L'installation et le câblage électrique doivent être effectués par une personne qualifiée conformément à tous les codes et à toutes les normes en vigueur, en particulier ceux et celles concernant la résistance au feu de la construction.
- B. Une quantité d'air suffisante est nécessaire à une combustion et à une évacuation appropriées des gaz par le conduit d'évacuation (cheminée) de l'équipement à combustible pour éviter tout refoulement. Suivez les instructions et normes de sécurité du fabricant de l'appareil chauffant, comme celles publiées par la National Fire Protection Association (NFPA), l'American Society for Heating, Refrigeration and Air Conditioning Engineers (ASHRAE) et les autorités locales.
- C. Lorsque vous effectuez des découpes ou que vous percez dans un mur ou un plafond, n'endommagez pas le câblage électrique ou les installations des services publics.
- D. L'air des ventilateurs pourvus de conduits de ventilation doit toujours être évacué vers l'extérieur.
- E. Enclenchez le disjoncteur dans les pièces adjacentes lorsque vous effectuez ces travaux.

AVERTISSEMENT POUR RÉDUIRE LES RISQUES D'INCENDIE, N'UTILISEZ QUE DES CONDUITS EN MÉTAL.

Instructions d'installation

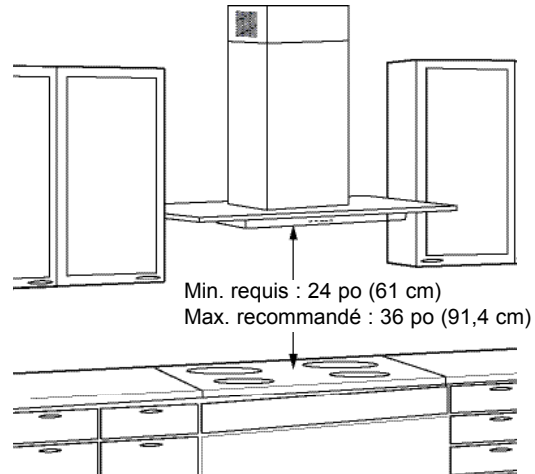
DIMENSIONS DU PRODUIT



DÉGAGEMENTS POUR L'INSTALLATION

Ces hottes d'évacuation ont été conçues pour être installées sur un mur sans armoire au-dessus.

- Installez ces hottes entre la distance minimale requise de 24 po (61 cm) et la distance maximale recommandée de 36 po (91,4 cm) au-dessus de la surface de cuisson.



Cette hotte doit être installée entre la distance minimale requise de 24 po (61 cm) et la distance maximale recommandée de 36 po (91,4 cm) au-dessus de la surface de cuisson. La hauteur d'installation de la hotte au-dessus de la surface de cuisson dépend de la hauteur du plafond et des limitations liées au cache-conduit. Le cache-conduit télescopique du conduit permet de dissimuler le conduit d'évacuation qui sort de la hotte jusqu'au plafond. Pour les hauteurs de plafond relatives au recouvrement du conduit fourni, voir le tableau de la page 6.

REMARQUE : La hauteur d'installation doit être mesurée à partir de la surface de cuisson jusqu'à la partie la plus basse de la hotte. Cette hotte doit être installée sur un mur. Elle peut être ventilée vers l'extérieur ou elle peut être installée de façon à recycler l'air. Pour une installation en mode recyclage de l'air, reportez-vous à la section **Planification d'une installation de type recyclage**.

Instructions d'installation

PLANIFICATION PRÉLIMINAIRE

Planification de l'installation du conduit

- Cette hotte est destinée à être ventilée verticalement à travers le plafond. Utilisez un conduit rond de 6 po (15,2 cm) de diamètre. Utilisez des coudes disponibles en quincaillerie pour évacuer l'air horizontalement à travers le mur arrière.
- N'utilisez uniquement que des conduits métalliques.
- Déterminez l'emplacement exact de la hotte.
- Planifiez le chemin que prendra l'air avant d'être évacué vers l'extérieur. Pour maximiser le rendement du système de ventilation :
 1. Minimisez la longueur du conduit et le nombre de transitions et de coudes.
 2. Conservez le même diamètre de conduit.
 3. Scellez tous les joints avec du ruban adhésif en toile pour éviter les fuites d'air.
 4. N'utilisez aucun conduit flexible, quel qu'en soit le type.
- Installez un clapet mural ou un chapeau de toit muni d'un registre dans l'ouverture extérieure. Achetez à l'avance le clapet mural ou le chapeau de toit, les raccords et la longueur de conduit dont vous avez besoin.
- Le cas échéant, installez le système d'air d'appoint (de remplacement) conformément aux exigences du code du bâtiment local. Visitez cafeappliances.ca/fr pour connaître les solutions d'air d'appoint offertes.

Planification d'une installation de type recyclage

Un conduit de recyclage de l'air (inclus) et un filtre à charbon (non inclus) sont nécessaires pour une installation de type recyclage de l'air.

Planification de l'alimentation électrique

L'emplacement de la connexion d'alimentation électrique est indiqué dans la section **Préparer le mur** à la page 7.

ALIMENTATION ÉLECTRIQUE

IMPORTANT – (veuillez lire attentivement)

⚠ AVERTISSEMENT

POUR VOTRE SÉCURITÉ, CET APPAREIL DOIT ÊTRE CORRECTEMENT MIS À LA TERRE.

Enlevez le fusible ou déclenchez le disjoncteur au panneau de distribution électrique avant d'entreprendre l'installation.

N'utilisez pas de cordon prolongateur ni de fiche d'adaptation avec cet appareil. Respectez le Code national de l'électricité ou la réglementation et les exigences locales en vigueur.

Alimentation électrique

Ces hottes sont conçues pour une alimentation électrique de 120 V et 60 Hz, et doivent être branchées à un circuit de dérivation individuel correctement mis à la terre et protégé par un disjoncteur de 15 ou 20 ampères ou par un fusible temporisé.

- Le câblage doit comprendre deux fils plus un fil de mise à la terre.
- Si votre système d'alimentation électrique ne répond pas aux exigences ci-dessus, demandez conseil auprès d'un électricien qualifié avant de commencer l'installation.
- Acheminez le câblage électrique le plus près possible de l'emplacement d'installation de la hotte dans le plafond ou dans le mur.
- Effectuez les branchements de votre câblage résidentiel conformément aux codes en vigueur.

Instructions de mise à la terre

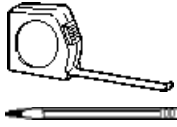
Le conducteur de terre doit être raccordé à une partie métallique, un câblage permanent, ou une borne ou un câble de mise à la terre de la hotte.

⚠ AVERTISSEMENT

Un raccordement inadéquat du conducteur de terre de l'équipement peut accroître les risques de choc électrique. En cas de doute quant à la mise à la terre de l'appareil, consultez un électricien qualifié ou un représentant du service après-vente.

Instructions d'installation

OUTILS ET MATÉRIAUX NÉCESSAIRES (NON FOURNIS)



Crayon et ruban à mesurer



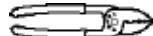
Lunettes de sécurité



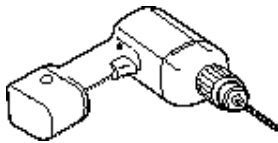
Tournevis Phillips



Niveau



Coupe-fil/pince à dénuder



Perceuse électrique avec embouts Phillips n° 2 et à lame plate, foret de 9/32 po



Ruban adhésif en toile revêtu d'aluminium



Capuchons de connexion homologués UL



Serre-câble pour boîte de jonction

DÉBALLAGE

ATTENTION Portez des gants pour protéger vos doigts des rebords coupants.

- Retirez les cache-conduits.
- Retirez le sac de quincaillerie, la trousse de documentation et les autres boîtes de pièces.
- Enlevez et jetez l'emballage en plastique et les autres matériaux d'emballage de façon adéquate.

PLANIFIER L'INSTALLATION

ATTENTION

Pour réduire les risques d'incendie et permettre une évacuation de l'air vers l'extérieur adéquate, assurez-vous d'acheminer les conduits vers l'extérieur – N'évacuez pas l'air dans des espaces intra-muraux, dans le plafond, dans le grenier, dans un vide sanitaire ou dans le garage.

PIÈCES FOURNIES POUR L'INSTALLATION

- 1 trousse de quincaillerie
- Documentation

PIÈCES REQUISES POUR L'INSTALLATION

- 1 serre-câble
- Câble d'alimentation électrique
- 1 clapet mural ou un chapeau de toit (pour une ventilation vers l'extérieur uniquement)
- Un conduit tout en métal (pour une ventilation vers l'extérieur uniquement)
- Un conduit de recyclage de l'air (pour une installation de type recyclage de l'air uniquement)

AVERTISSEMENT

RISQUE DE BLESSURES

En raison du poids et de la taille du toit d'évacuation de la hotte, il est recommandé que son installation soit effectuée par 2 personnes. Ne pas soulever correctement la hotte pourrait l'endommager ou causer des blessures.

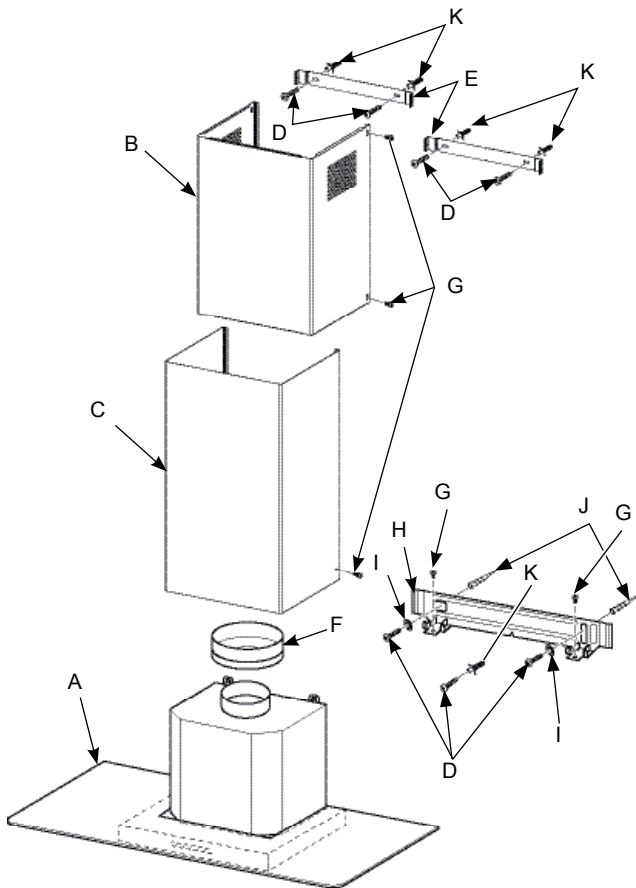
REMARQUE : Cette hotte de cuisinière peut être installée en mode évacuation ou recyclage de l'air. Pour une installation de type évacuation, la hotte peut évacuer l'air à travers le mur ou le plafond. Lorsqu'elle est installée en mode recyclage de l'air, la hotte pousse l'air sur les côtés du cache-conduit.

REMARQUE : Avant d'effectuer des coupes ou des trous pour l'installation, déterminez la méthode de ventilation qui sera utilisée et calculez soigneusement toutes les mesures.

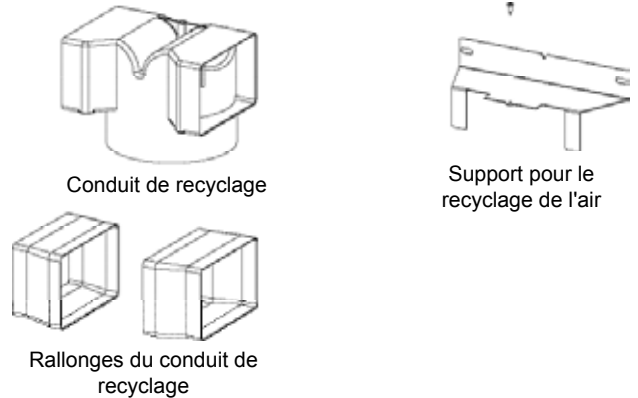
Instructions d'installation

COMPOSANTS DE LA HOTTE DE CUISINIÈRE

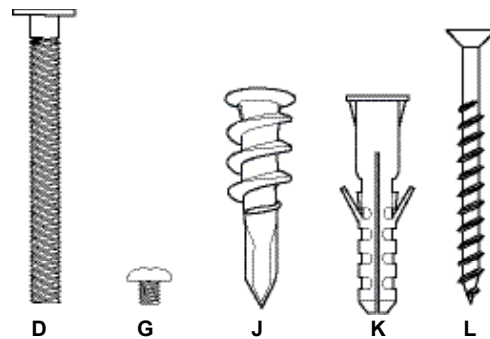
- | | |
|---|--|
| A. Toit de la hotte | H. Support de montage |
| B. Cache-conduit supérieur | I. Rondelles |
| C. Cache-conduit inférieur | J. Ancrages de fixation du toit de la hotte |
| D. Vis de montage | K. Ancrages de fixation du cache-conduit |
| E. Supports de montage du cache-conduit | L. Vis autotaraudeuses pour cloison sèche (pour boîte de jonction) |
| F. Registre | |
| G. Vis du cache-conduit | |



COMPOSANTS DE RECYCLAGE



QUINCAILLERIE

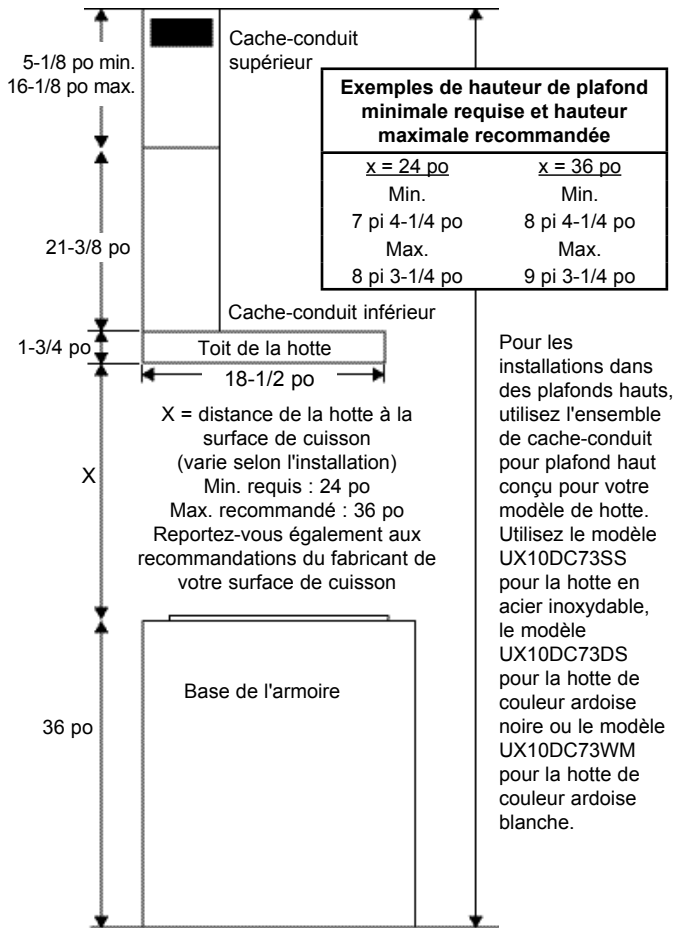


Instructions d'installation

Reportez-vous au tableau pour la hauteur d'installation maximale avec les cache-conduits et les accessoires inclus.

DIMENSIONS D'INSTALLATION

Les hottes à cheminée en verre sont ajustables et conçues pour être installées sous des plafonds de différentes hauteurs. Les cache-conduits peuvent être ajustés pour des plafonds dont la hauteur mesure entre 7 pi 4-1/4 po (2,24 m) et 9 pi 3-1/4 po (2,83 m) en fonction de la distance entre le bas de la hotte et la surface de cuisson (distance X).



Hauteur de plafond (actuelle)	Inclus	UX10DC73 (accessoire)
7 pi 5 po	24 po	
7 pi 6 po	24 à 25 po	
7 pi 7 po	24 à 26 po	
7 pi 8 po	24 à 27 po	
7 pi 9 po	24 à 28 po	
7 pi 10 po	24 à 29 po	
7 pi 11 po	24 à 30 po	
8 pi	24 à 31 po	24 po
8 pi 1 po	24 à 32 po	24 à 25 po
8 pi 2 po	24 à 33 po	24 à 26 po
8 pi 3 po	24 à 34 po	24 à 27 po
8 pi 4 po	25 à 35 po	24 à 28 po
8 pi 5 po	26 à 36 po	24 à 29 po
8 pi 6 po	27 à 36 po	24 à 30 po
8 pi 7 po	28 à 36 po	24 à 31 po
8 pi 8 po	29 à 36 po	24 à 32 po
8 pi 9 po	30 à 36 po	24 à 33 po
8 pi 10 po	31 à 36 po	24 à 34 po
8 pi 11 po	32 à 36 po	24 à 35 po
9 pi	33 à 36 po	24 à 36 po
9 pi 1 po	34 à 36 po	24 à 36 po
9 pi 2 po	35 à 36 po	24 à 36 po
9 pi 3 po	36 po	24 à 36 po
9 pi 4 po		24 à 36 po
9 pi 5 po		24 à 36 po
9 pi 6 po		24 à 36 po
9 pi 7 po		24 à 36 po
9 pi 8 po		25 à 36 po
9 pi 9 po		26 à 36 po
9 pi 10 po		27 à 36 po
9 pi 11 po		28 à 36 po
10 pi		29 à 36 po
10 pi 1 po		30 à 36 po
10 pi 2 po		31 à 36 po
10 pi 3 po		32 à 36 po
10 pi 4 po		33 à 36 po
10 pi 5 po		34 à 36 po
10 pi 6 po		35 à 36 po
10 pi 7 po		36 po

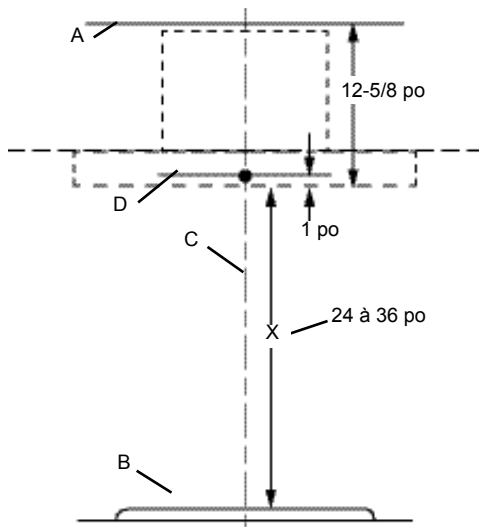
1 po = 2,5 cm; 1 pi = 0,3 m

Instructions d'installation

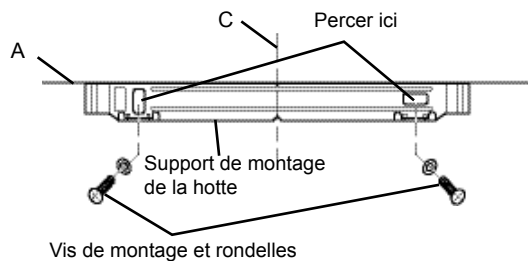
PRÉPARER LE MUR

Caisson de la hotte

1. Recouvrez la surface située au-dessous de l'emplacement de la hotte pour la protéger des saletés et/ou des dommages.
2. Déterminez la position de la ligne centrale sur le mur à l'emplacement où la hotte sera installée et tracez une ligne vers le plafond. En vous basant sur la hauteur du plafond, déterminez la distance minimale requise de 24 po (61 cm) et la distance maximale recommandée de 36 po (91,4 cm) (X) nécessaires entre la surface de cuisson (B) et le bas de la hotte. À cette distance, ajoutez 12-5/8 po (32,1 cm) et tracez une ligne horizontale (A) d'environ 24 po (61 cm) de long centrée sur la ligne centrale verticale (C).



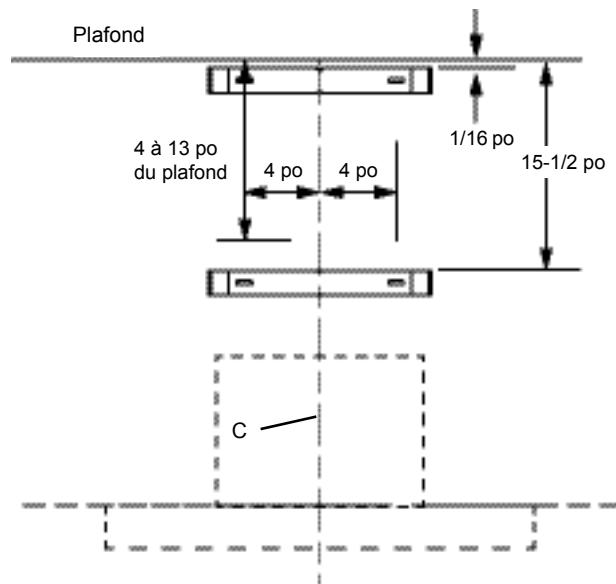
3. Alignez le rebord supérieur du support de montage avec la ligne horizontale (A). Alignez les encoches centrales du support et de la ligne centrale (C) et faites des marques au centre des trous du support. Enlevez le support afin de visser avec la perceuse les 2 ancrages de fixation du toit de la hotte dans le mur en vous basant sur vos marques. Remplacez le support sur le mur et vissez les 2 vis de montage avec les 2 rondelles dans les ancrages. Serrez les vis.



4. Ajoutez 1 po (2,5 cm) à la distance X et tracez une deuxième ligne horizontale (D). Percez un trou dans le mur avec le foret de 9/32 po à l'intersection de la ligne horizontale (D) et de la ligne centrale verticale (C). Insérez un ancrage de cache-conduit.

Cache-conduits et alimentation électrique

1. Placez l'un des cache-conduits contre le mur de telle sorte que son rebord supérieur soit à 1/16 po (1,6 mm) du plafond et de niveau. Alignez les encoches centrales du support et de la ligne centrale (C) et faites des marques au centre des trous du support. Retirez le support afin de percer les 2 trous de montage à l'aide du foret de 9/32 po et insérez les ancrages du cache-conduit. Remplacez le support sur le mur et vissez les 2 vis de montage dans les ancrages. Serrez les vis.
2. Placez l'autre support du cache-conduit contre le mur de telle sorte que son rebord supérieur soit à 15-1/2 po (39,4 cm) du plafond et de niveau. Alignez les encoches centrales du support et de la ligne centrale (C) et faites des marques au centre des trous du support. Retirez le support afin de percer les 2 trous de montage à l'aide du foret de 9/32 po et insérez les ancrages du cache-conduit. Remplacez le support sur le mur et vissez les 2 vis de montage dans les ancrages. Serrez les vis.
3. Déterminez la position du trou qui devra être percé pour faire passer le câble d'alimentation dans le mur et faites une marque pour indiquer la position. Le centre du trou peut être situé à 4 po (10,2 cm) à gauche ou à droite de la ligne centrale (C) tout en restant entre 4 po (10,2 cm) et 13 po (33 cm) du plafond. Après avoir marqué le centre du trou, percez un trou d'un diamètre de 1-1/4 po (3,2 cm).



Instructions d'installation

PRÉPARER LA HOTTE EN VUE DE SON INSTALLATION

Enlevez le filtre à graisse de la hotte et mettez-le de côté. Pour enlever le filtre à graisse, appuyez sur la poignée située sur le devant du filtre. Lorsque vous remplacez le filtre, assurez-vous qu'il est correctement positionné, la poignée à l'avant et visible.



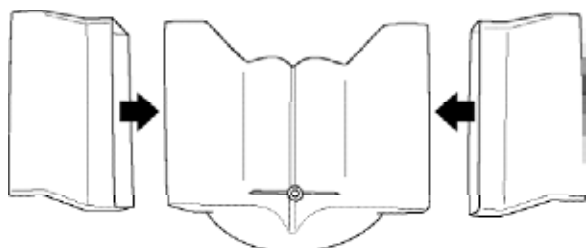
Installations avec système de ventilation

1. Poussez fermement le registre sur le dessus de l'ouverture de la sortie de l'évacuation. Vérifiez que le registre s'ouvre librement.
2. Enlevez et jetez de façon adéquate l'emballage en plastique protégeant la hotte. Consultez le Manuel de l'utilisateur pour plus d'options de nettoyage.
3. Passez à la section **Montage de la hotte de cuisinière en verre**.

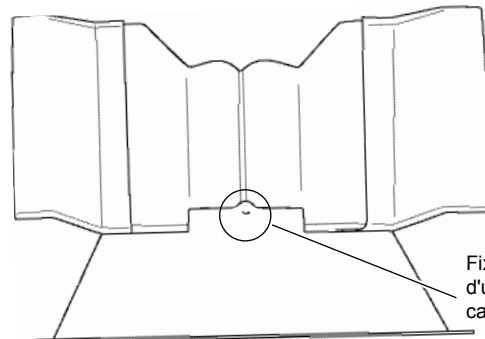
Installations non ventilées (sans conduit)

REMARQUE : Un conduit de recyclage de l'air, des rallonges et un support sont inclus avec la hotte et sont nécessaires pour l'installation de type recyclage de l'air. Un filtre à charbon (non inclus) est également requis pour une installation de type recyclage de l'air. Le registre n'est pas installé sur la hotte dans le cas d'une installation de type recyclage de l'air.

1. Installez les rallonges de conduit pour le recyclage de l'air au conduit de recyclage.

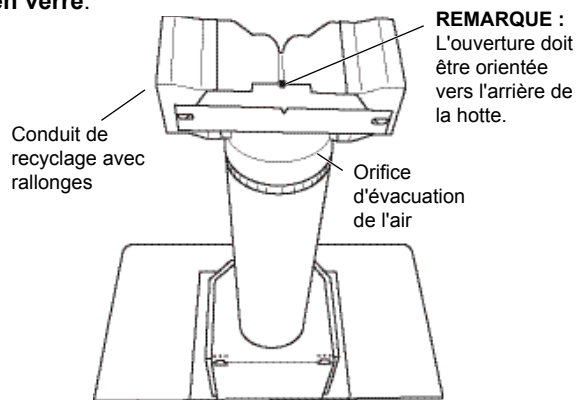


2. Fixez le support de montage du conduit de recyclage de l'air au conduit de recyclage en utilisant la vis du cache-conduit fournie dans le sac de quincaillerie.



Fixer à l'aide d'une vis du cache-conduit

3. Placez le conduit de recyclage et ses rallonges sur la sortie de l'évent et poussez vers le bas pour l'asseoir sur le raccord de sortie. Fixez le conduit vertical sur le dessus de la hotte. Vérifiez que le conduit de recyclage est bien orienté (l'ouverture doit être orientée vers l'arrière de la hotte).
4. Passez à la section **Montage de la hotte de cuisinière en verre**.

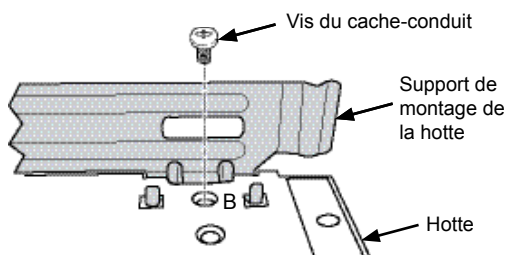


REMARQUE : L'ouverture doit être orientée vers l'arrière de la hotte.

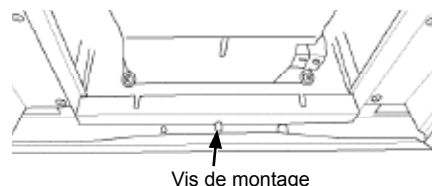
MONTAGE DE LA HOTTE DE CUISINIÈRE EN VERRE

REMARQUE : Pour une installation sans conduit (recyclage de l'air), suivez les étapes 1 à 6. Pour une installation avec conduit, suivez les étapes 1 à 3.

1. À l'aide de 2 personnes ou plus, soulevez la hotte et placez-la sur le support de montage de la hotte. Assurez-vous que le support s'engage complètement dans les orifices du caisson de la hotte.



2. Placez une vis de montage dans l'ancrage du cache-conduit au centre de l'ouverture située dans la partie inférieure arrière de la hotte. Serrez la vis solidement.
3. Fixez la hotte au support de montage en vissant une vis du cache-conduit dans le trou (B) des deux côtés du support illustré plus haut.

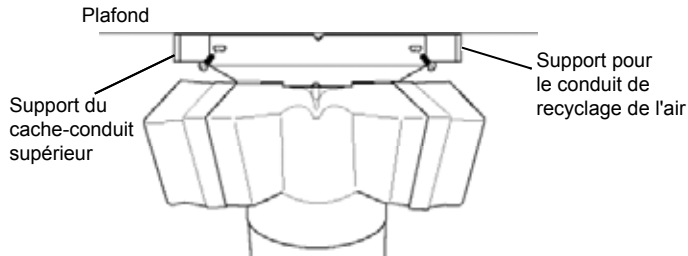


Vis de montage

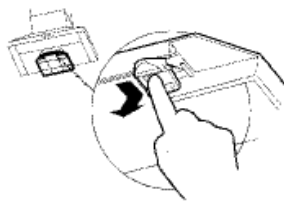
Instructions d'installation

MONTAGE DE LA HOTTE DE CUISINIÈRE EN VERRE (suite)

- Retirez le support du cache-conduit supérieur du mur.
- Alignez le rebord supérieur du support de montage avec le rebord supérieur du support de montage du conduit de recyclage qui est fixé au conduit de recyclage. Alignez les encoches centrales de chaque support. Placez l'arrière des deux supports sur le mur dans la position précédente. Vissez les 2 vis de montage dans les ancrages et serrez solidement.

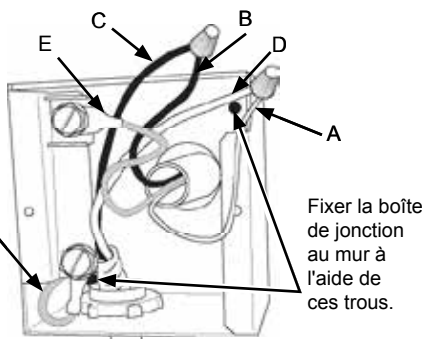


- Installez le **FILTRE À CHARBON** (non inclus).



BRANCHEMENT ÉLECTRIQUE

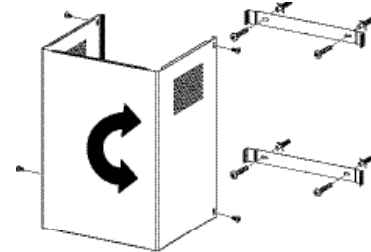
- Retirez le couvercle du compartiment du câblage d'alimentation. Faites passer le câble d'alimentation à travers l'orifice du compartiment.
- Raccordez le câble d'alimentation électrique à la boîte de jonction de la hotte en le faisant passer dans le trou qui a été percé à la section « Préparer le mur » de la page 7. Raccordez le fil blanc de l'alimentation électrique (A) au fil blanc de la hotte (D) à l'aide d'un capuchon de connexion. Raccordez le fil noir de l'alimentation électrique (B) au fil noir de la hotte (C) à l'aide d'un capuchon de connexion. Fixez le fil vert (E) (vert et jaune) de mise à la terre sous la vis verte de mise à la terre.
- Fixez la boîte de jonction au mur avec 2 vis autotaraudeuses pour cloison sèche dans les deux trous en diagonale de la boîte de jonction. Remplacez le couvercle du compartiment du câblage d'alimentation.



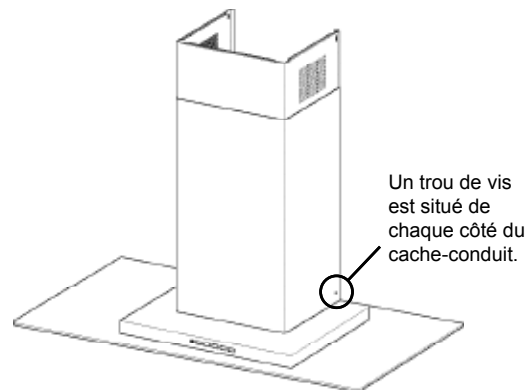
TERMINER L'INSTALLATION

- Pour une installation avec conduit uniquement :** Raccordez le conduit de la maison au registre sur le caisson de la hotte. Scellez tous les raccords avec du ruban adhésif en toile.
- Pour une installation avec conduit de type recyclage de l'air :** Installez le cache-conduit supérieur. Écartez légèrement les côtés du cache-conduit et accrochez-les derrière les supports de montage du cache-conduit. Fixez le cache-conduit aux supports à l'aide de 4 vis pour cache-conduit.

REMARQUE : En fonction de la hauteur du plafond et de la hauteur d'installation de la hotte, le cache-conduit supérieur peut être installé avec des événements d'évacuation sur le dessus pointant vers le plafond. Vous pouvez également retourner le cache-conduit et cacher les événements d'évacuation sous le cache-conduit inférieur.



- Installez le cache-conduit inférieur. Écartez légèrement les côtés du cache-conduit et accrochez-les derrière le cache-conduit supérieur et le mur. Faites glisser le cache-conduit inférieur vers le bas pour le fixer solidement sur le dessus de la hotte.
- Terminez de fixer le cache-conduit inférieur à la cheminée de la hotte en vissant 2 vis pour cache-conduit dans les trous des deux côtés du cache-conduit.



- Remettez le filtre à graisse métallique dans la hotte.
- Rétablissez l'alimentation électrique. Faites partir le ventilateur et la lumière. Si la hotte ne fonctionne pas, assurez-vous que le disjoncteur n'est pas déclenché ou que les fusibles de votre domicile ne sont pas grillés. Si l'appareil ne fonctionne toujours pas, débranchez l'alimentation électrique et vérifiez que les connexions ont été effectuées correctement.

Notes
